

SINGER

45K58

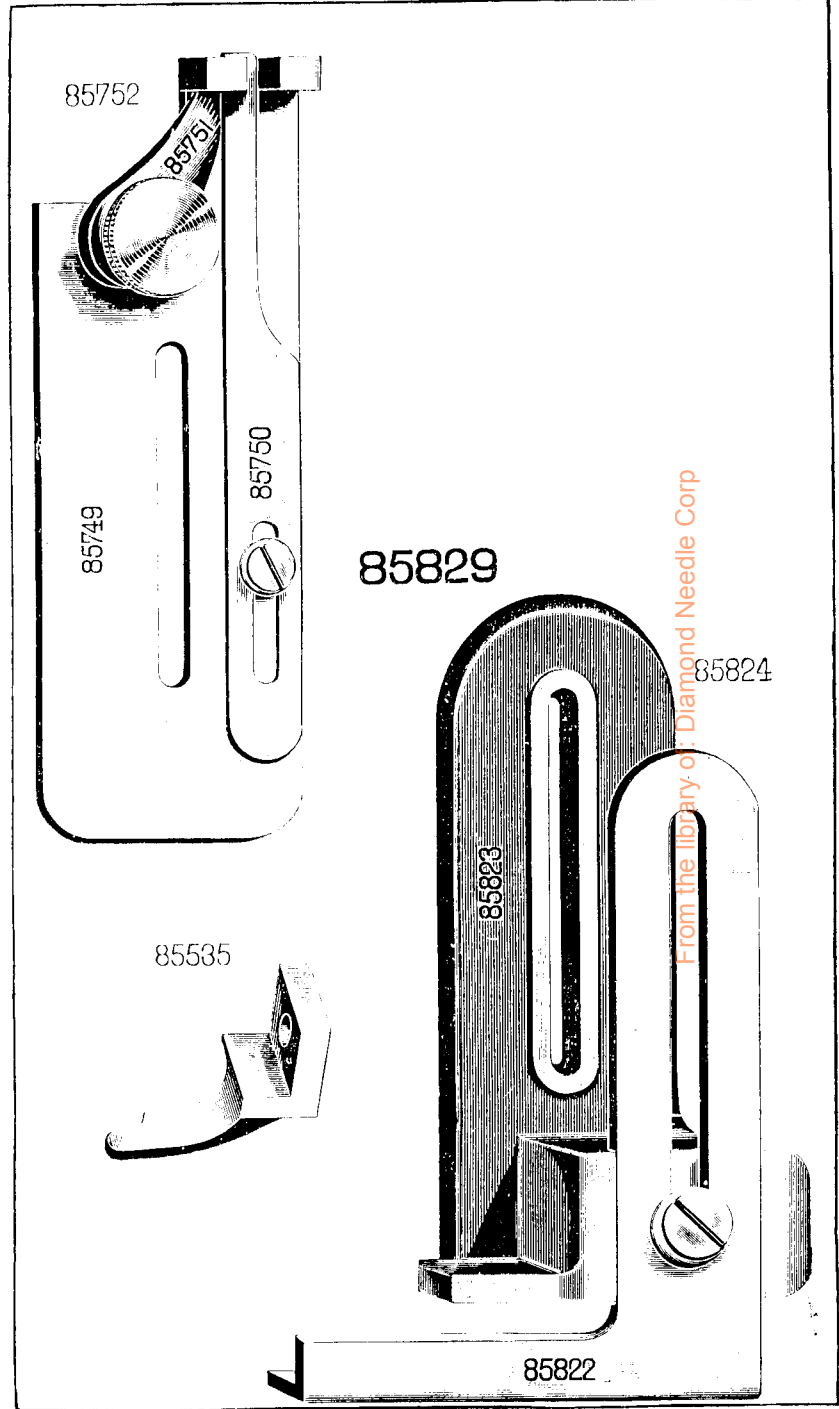
ILLUSTRATED
LIST OF PARTS

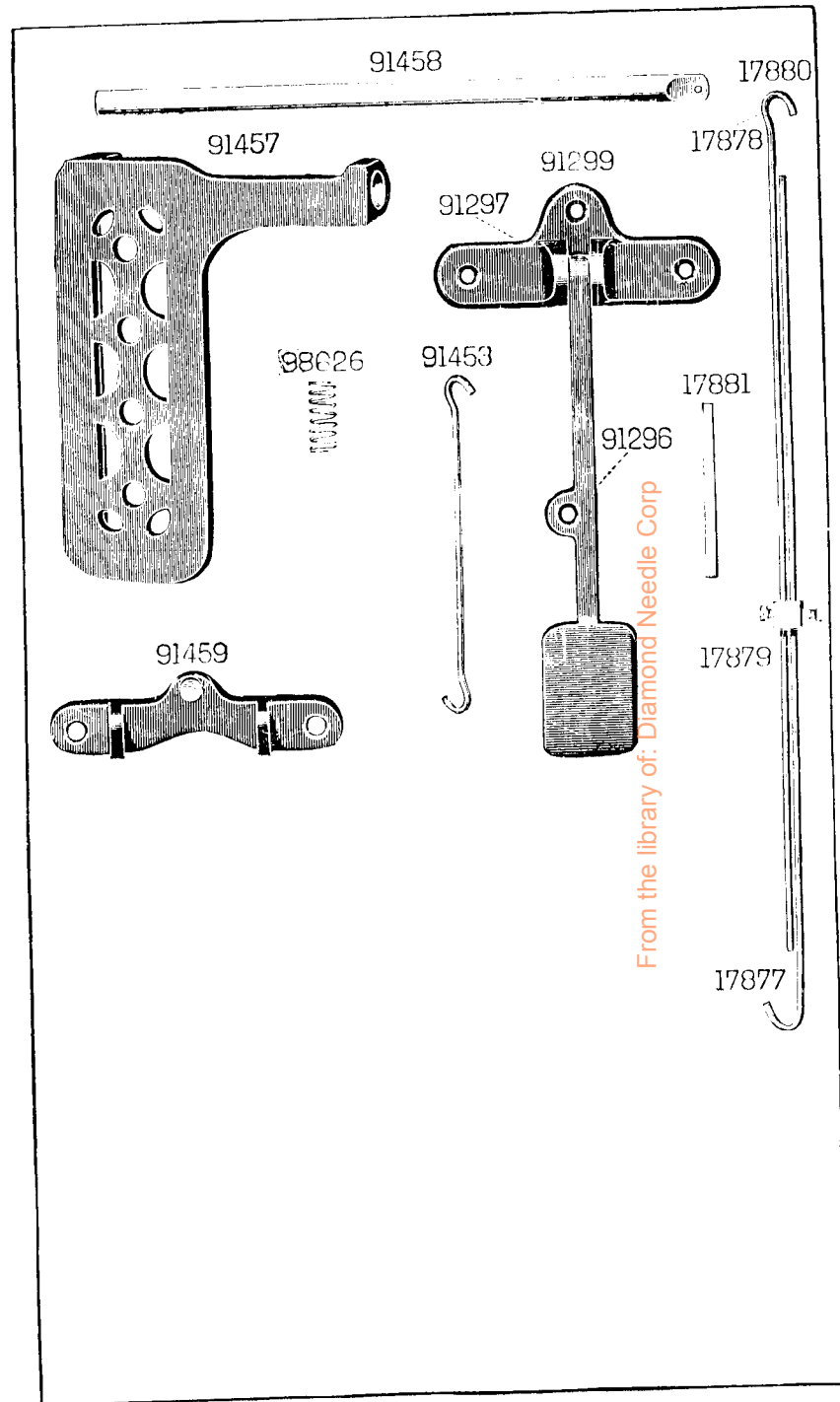
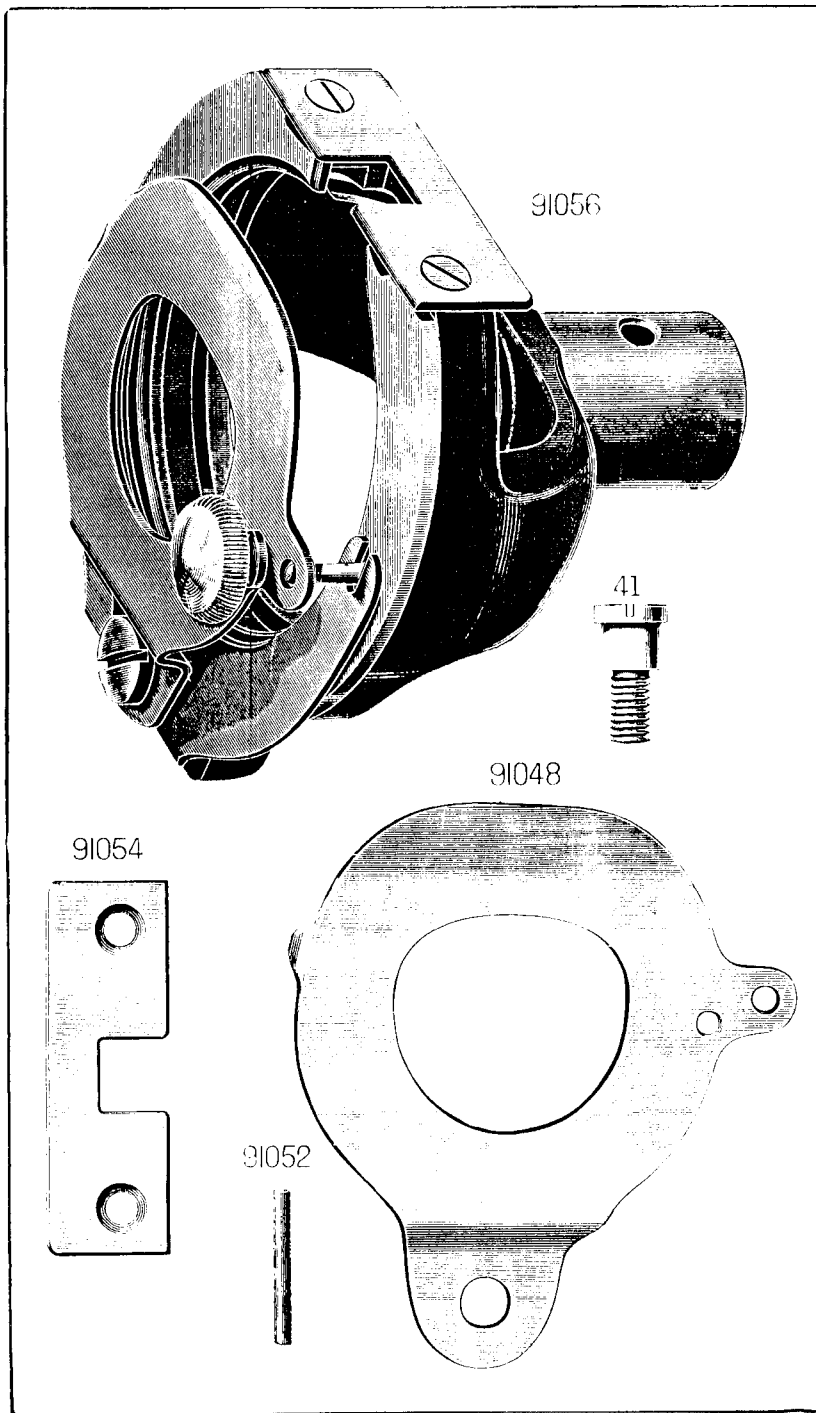
FOR

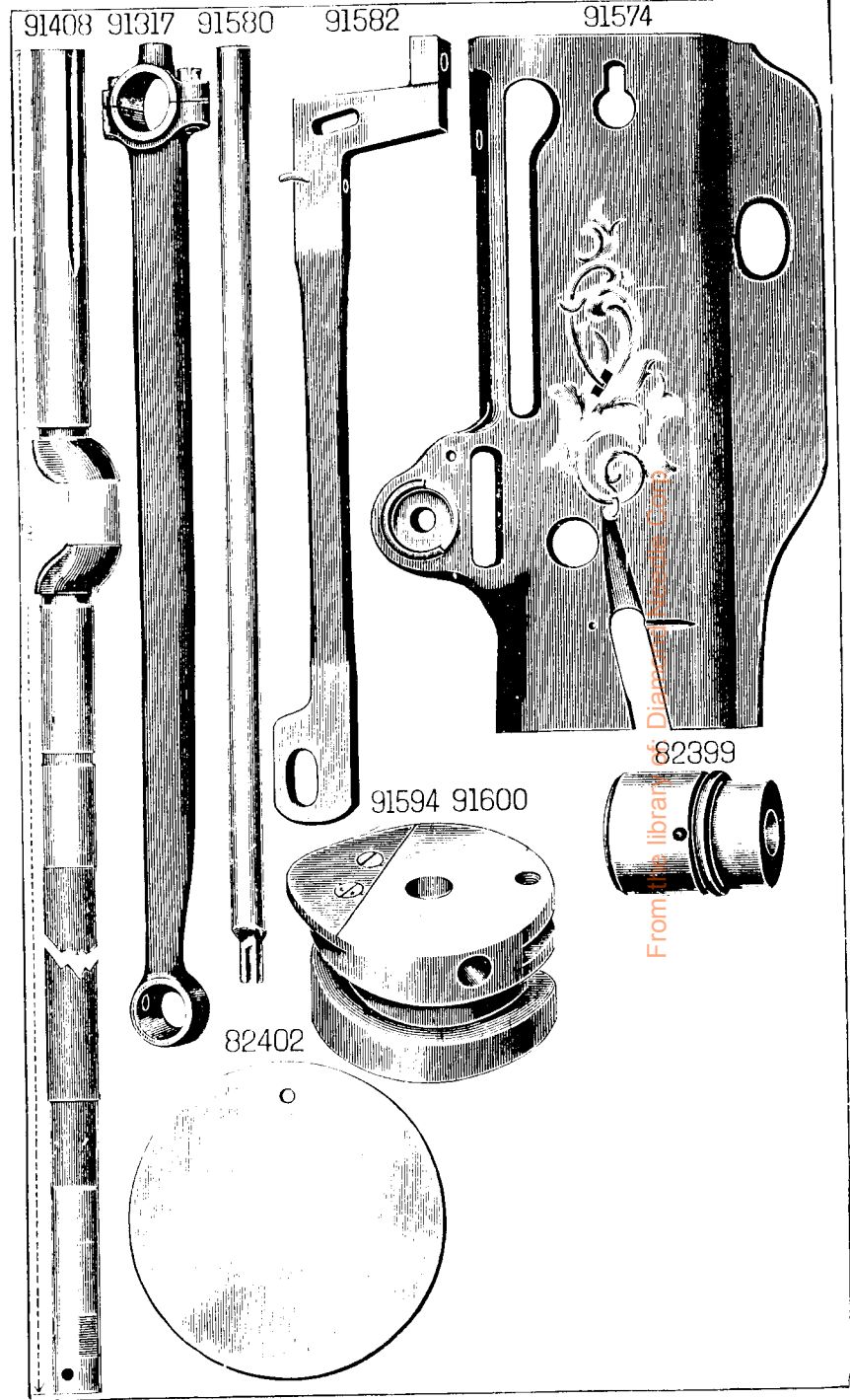
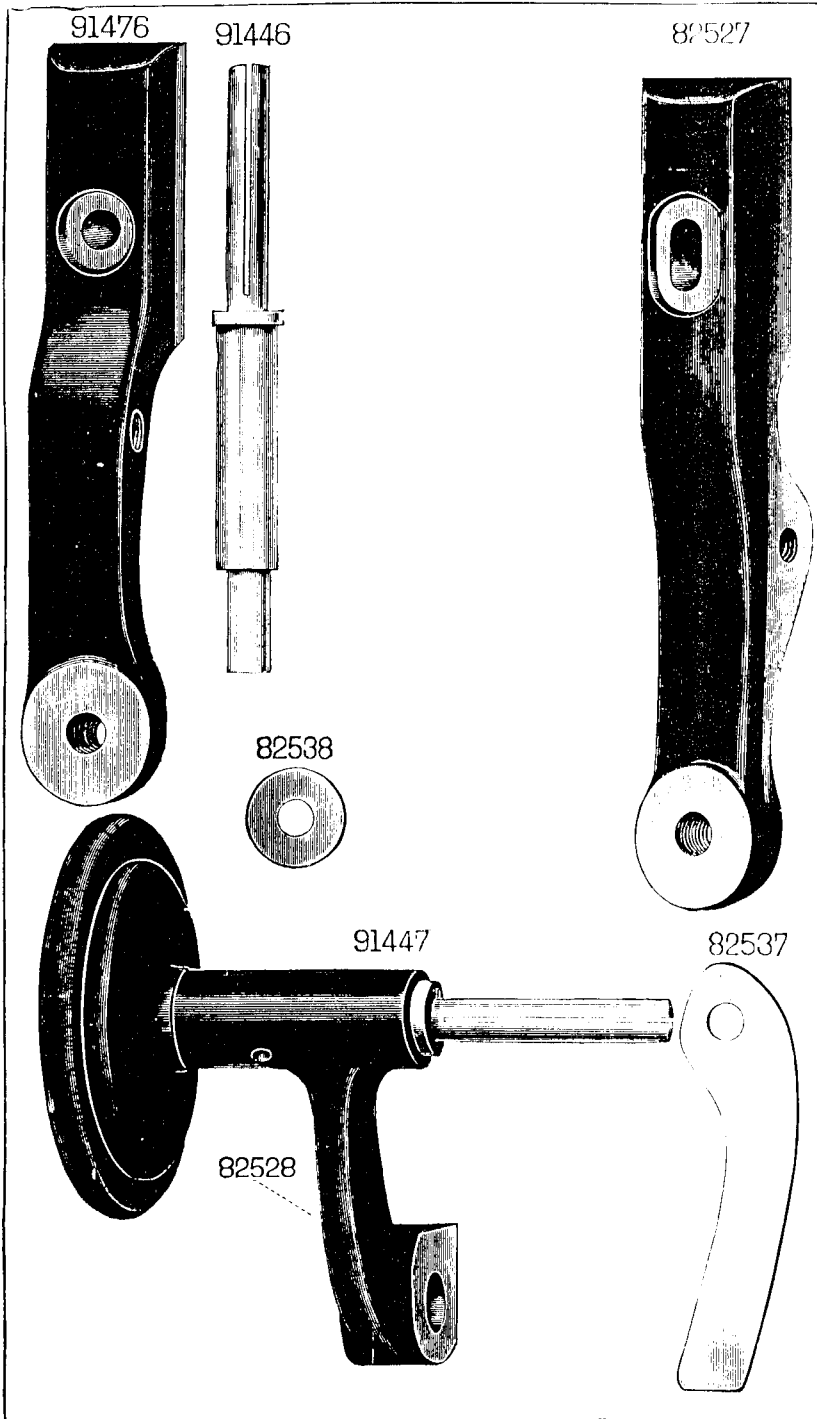
No. 45K58 Machine

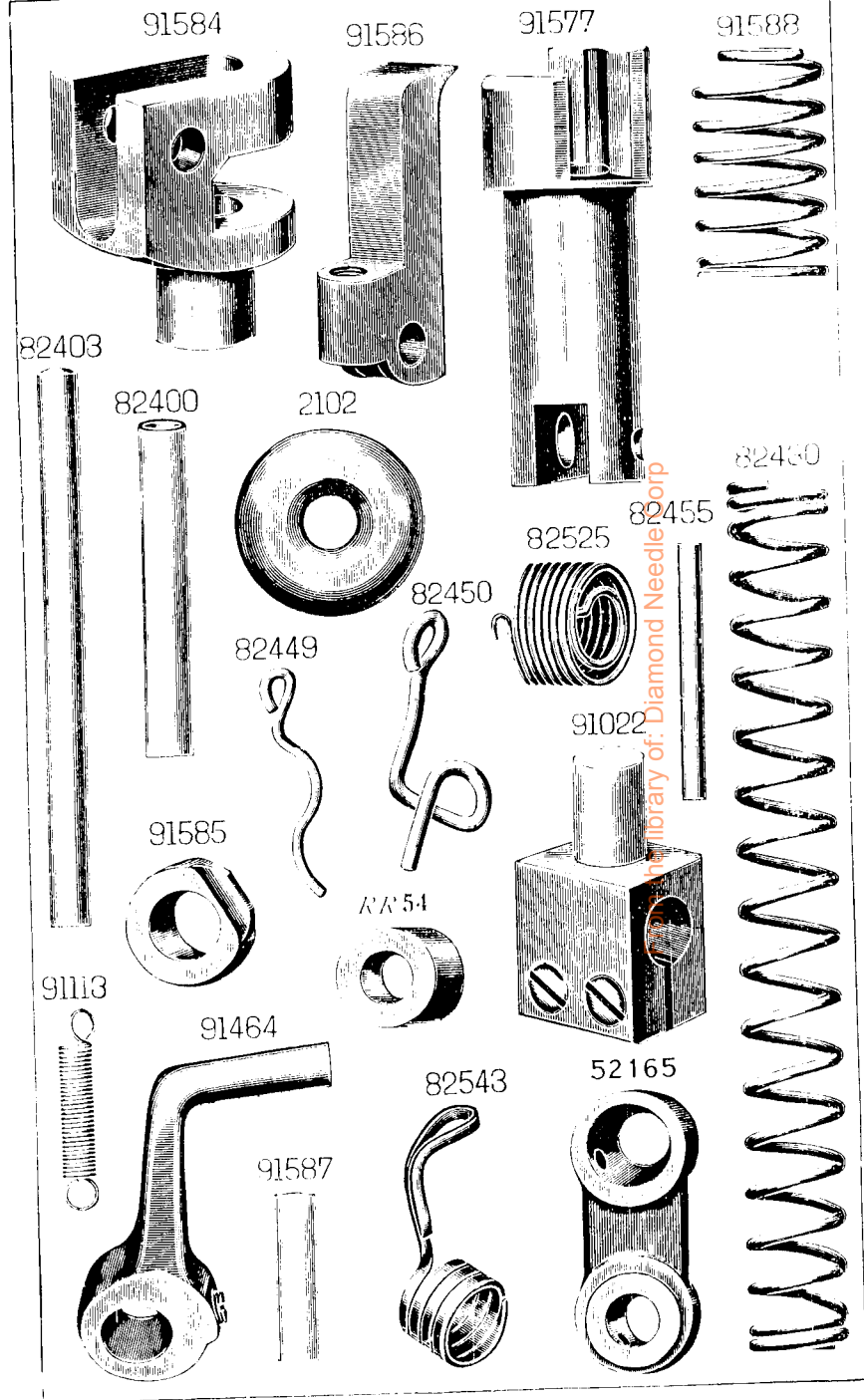
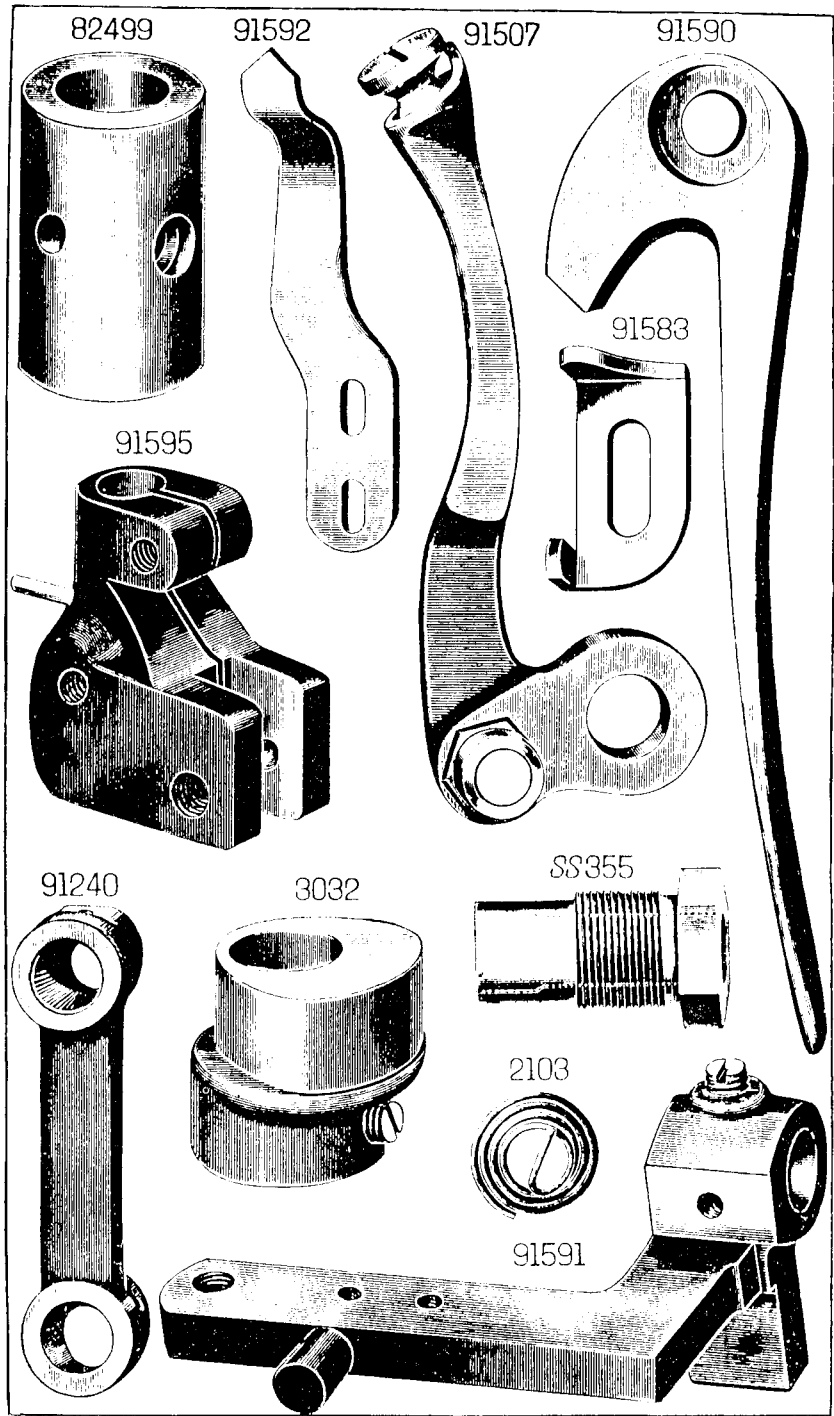


**A Trade Mark of
THE SINGER MANUFACTURING CO.

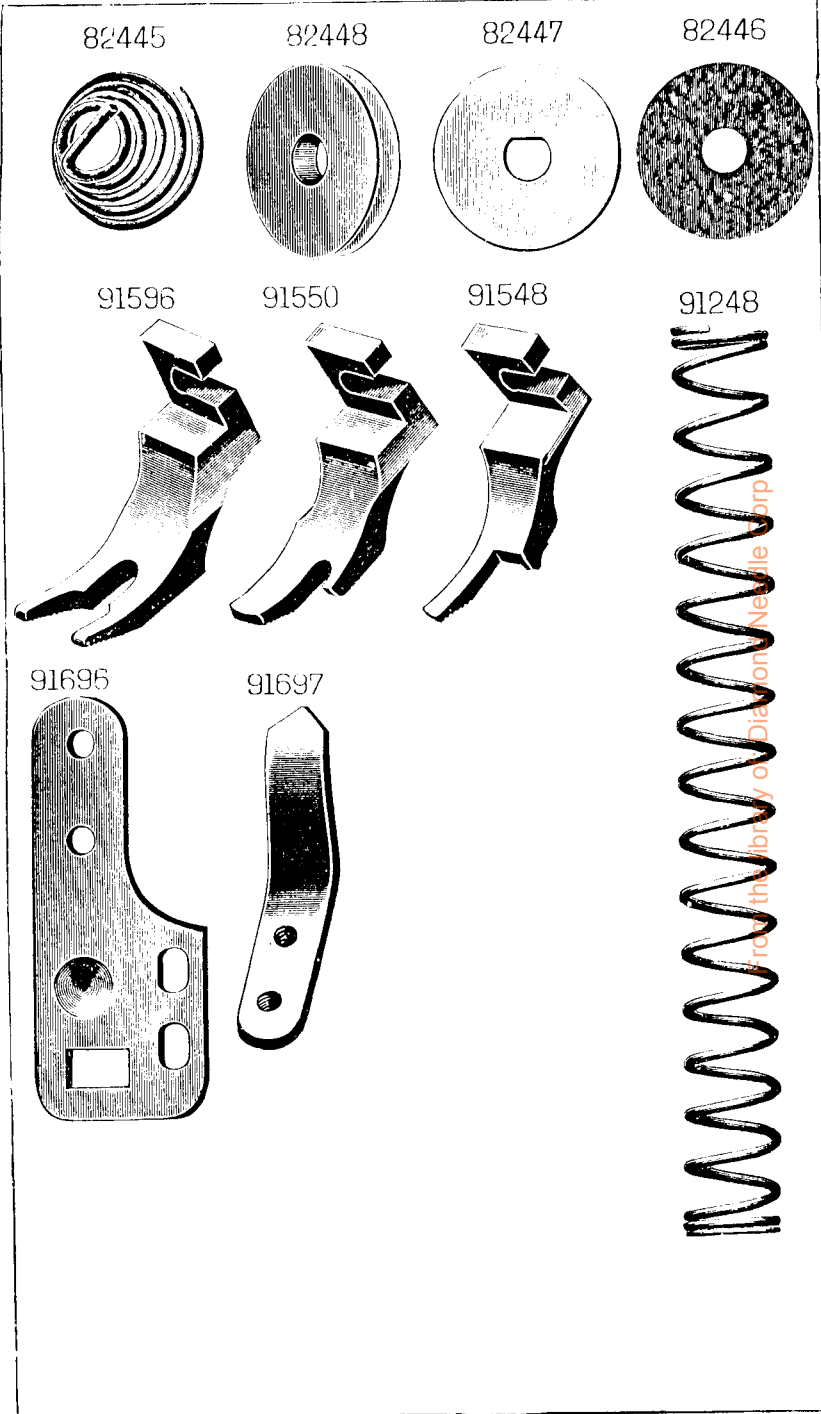
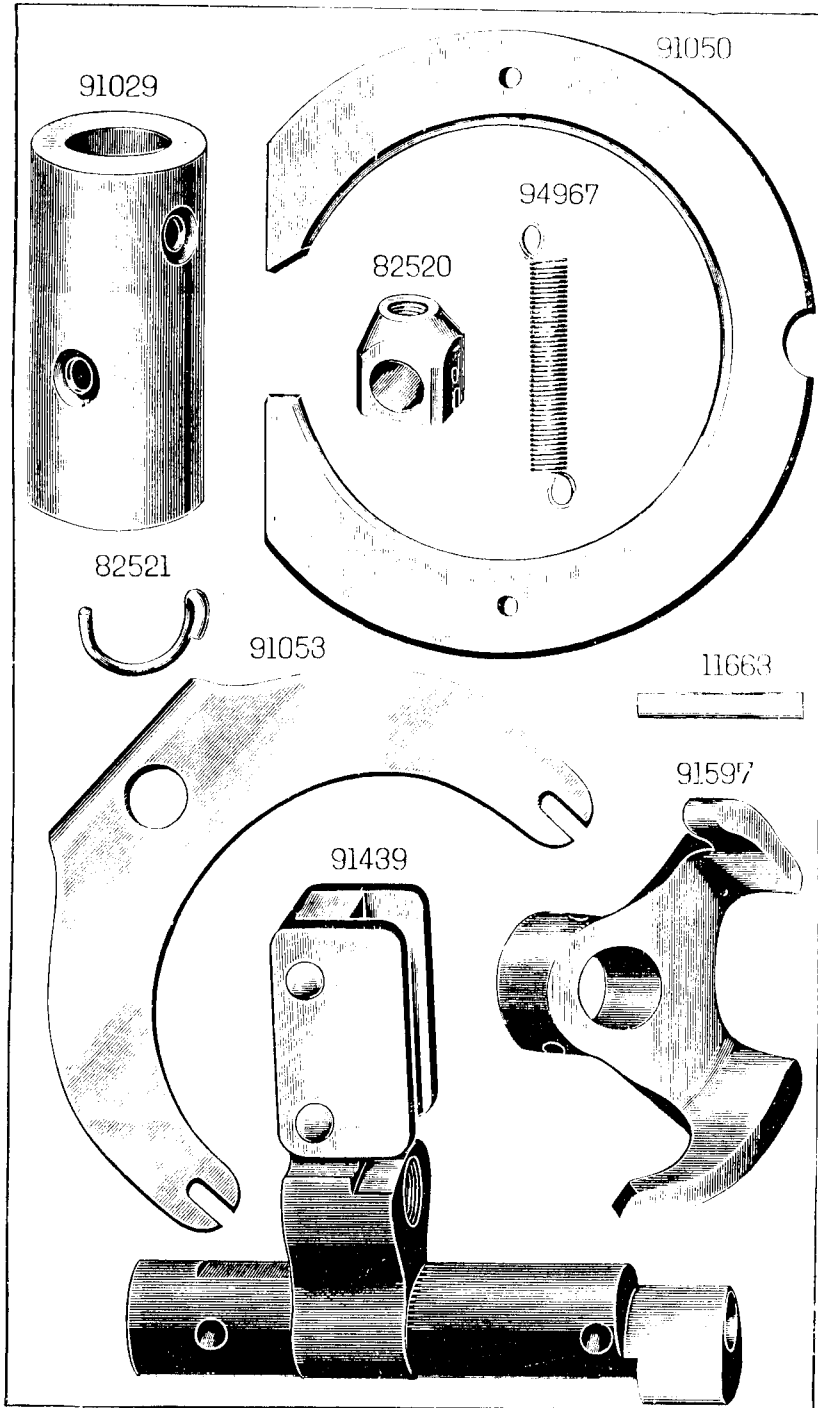








Library of: Diamond Needle Corp



from the library of Dial.com/Needle Corp

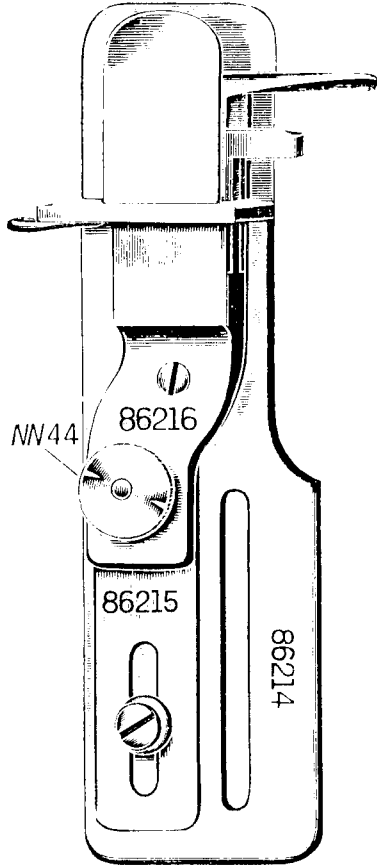
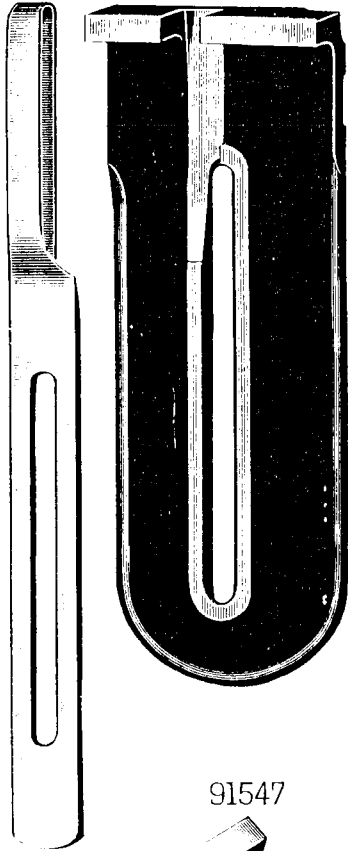
86288

86285

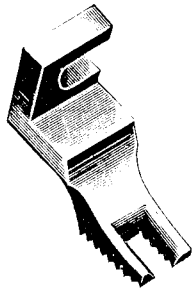
86286

86287

86217



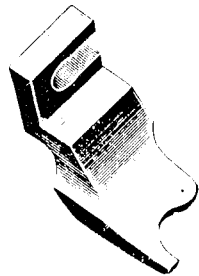
91547



703



86144

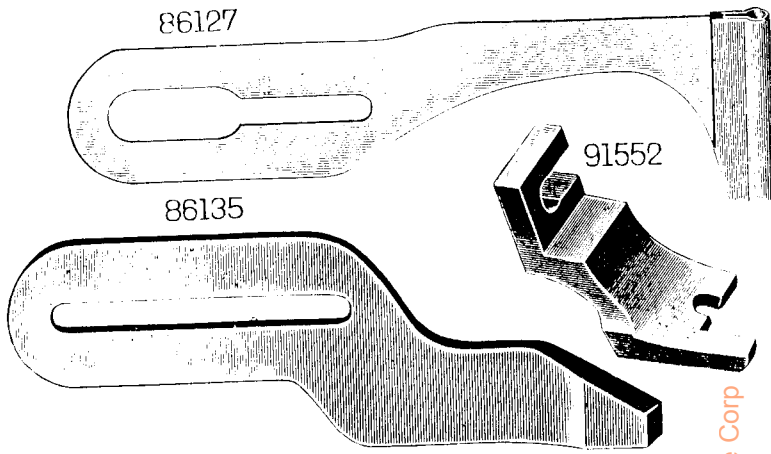


86289

86127

86135

91552



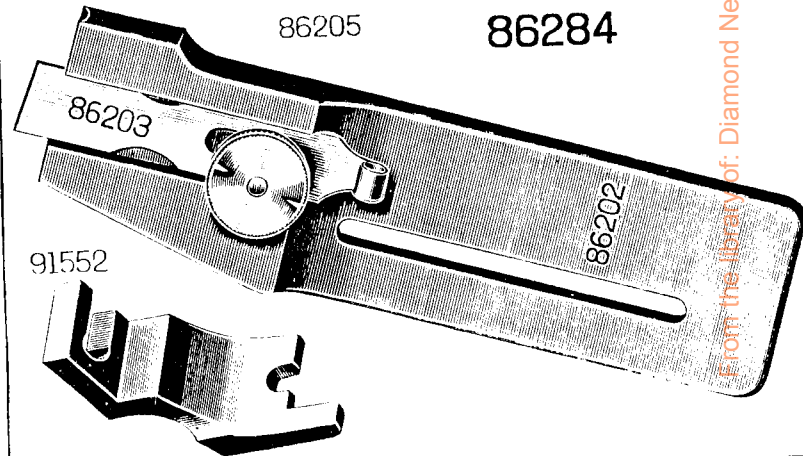
86205

86284

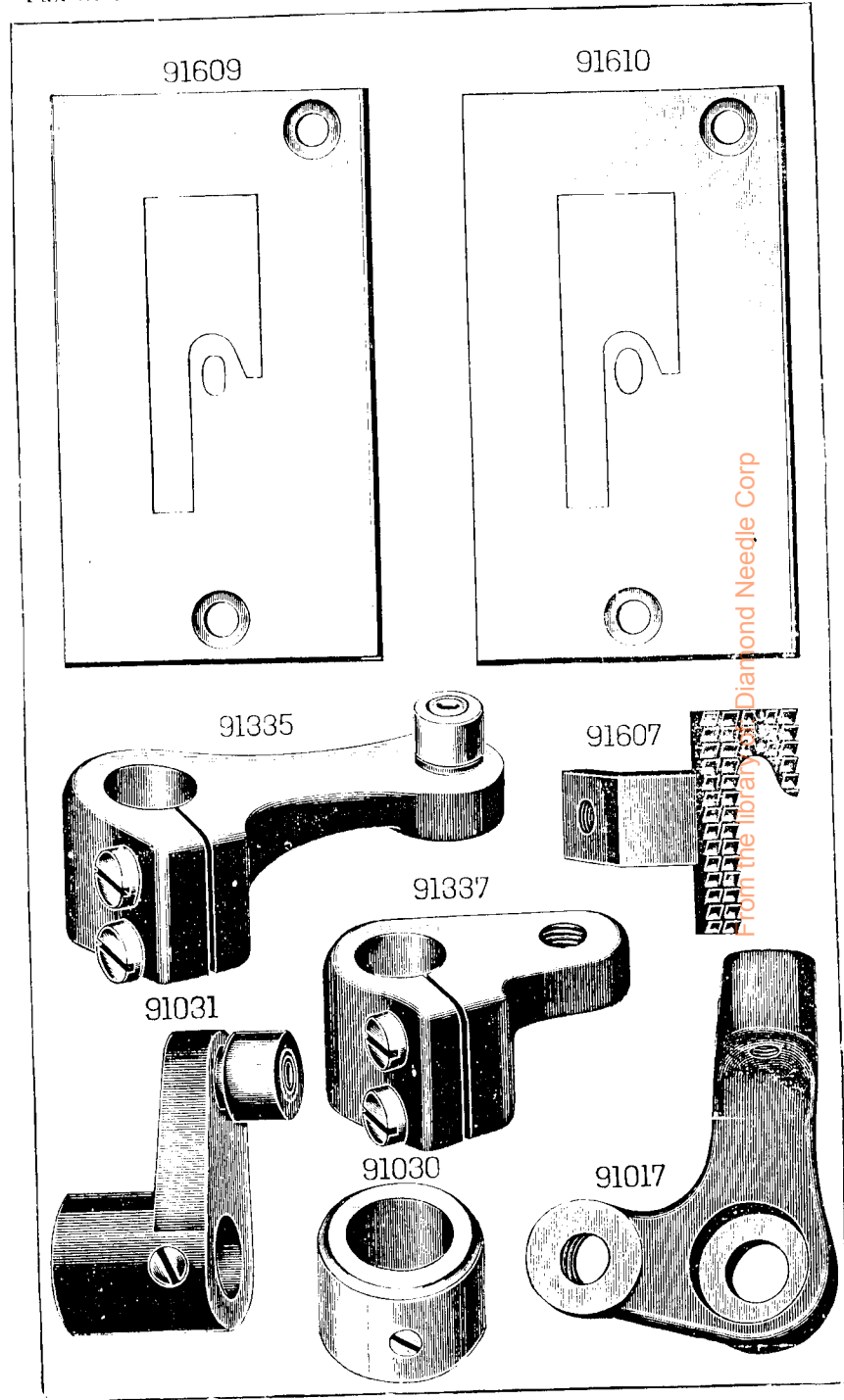
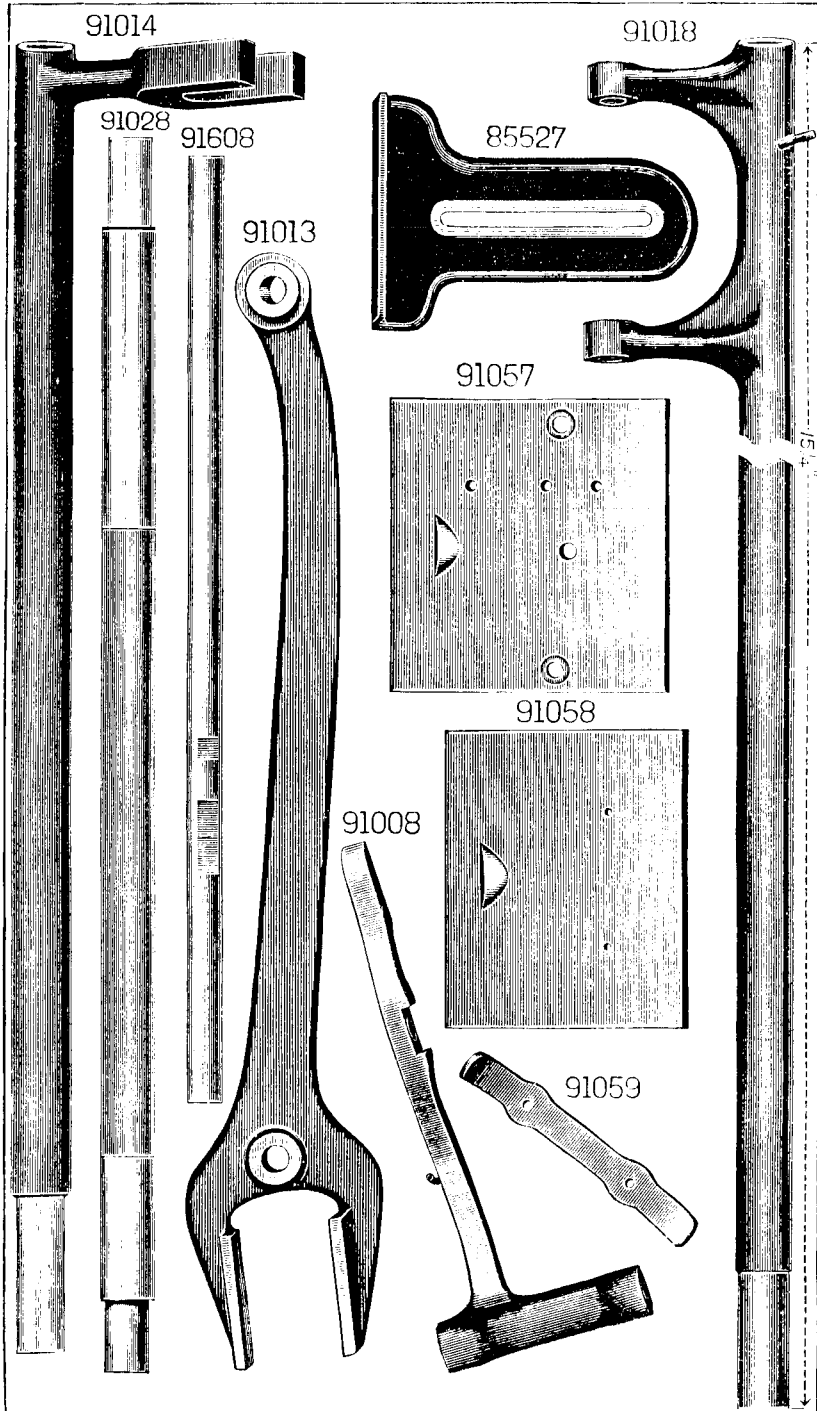
86203

91552

86202

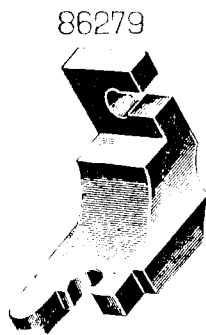
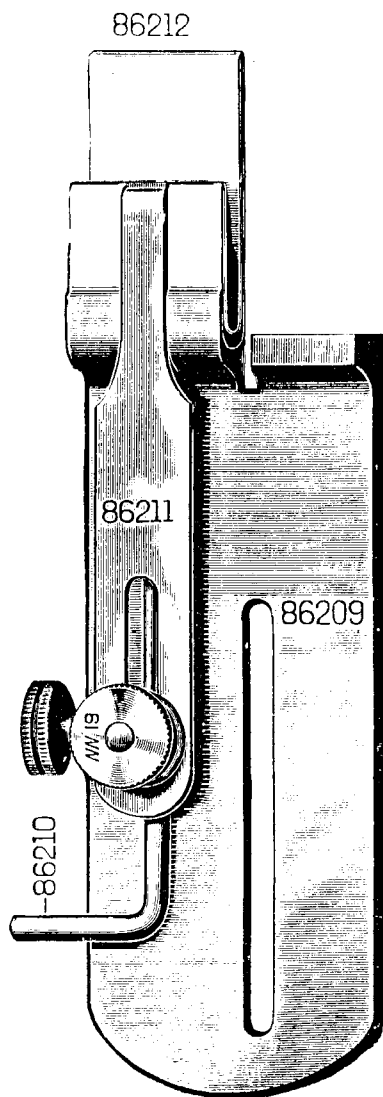


From the library of: Diamond Needle Corp



From the library of Diamond Needle Corp

86290

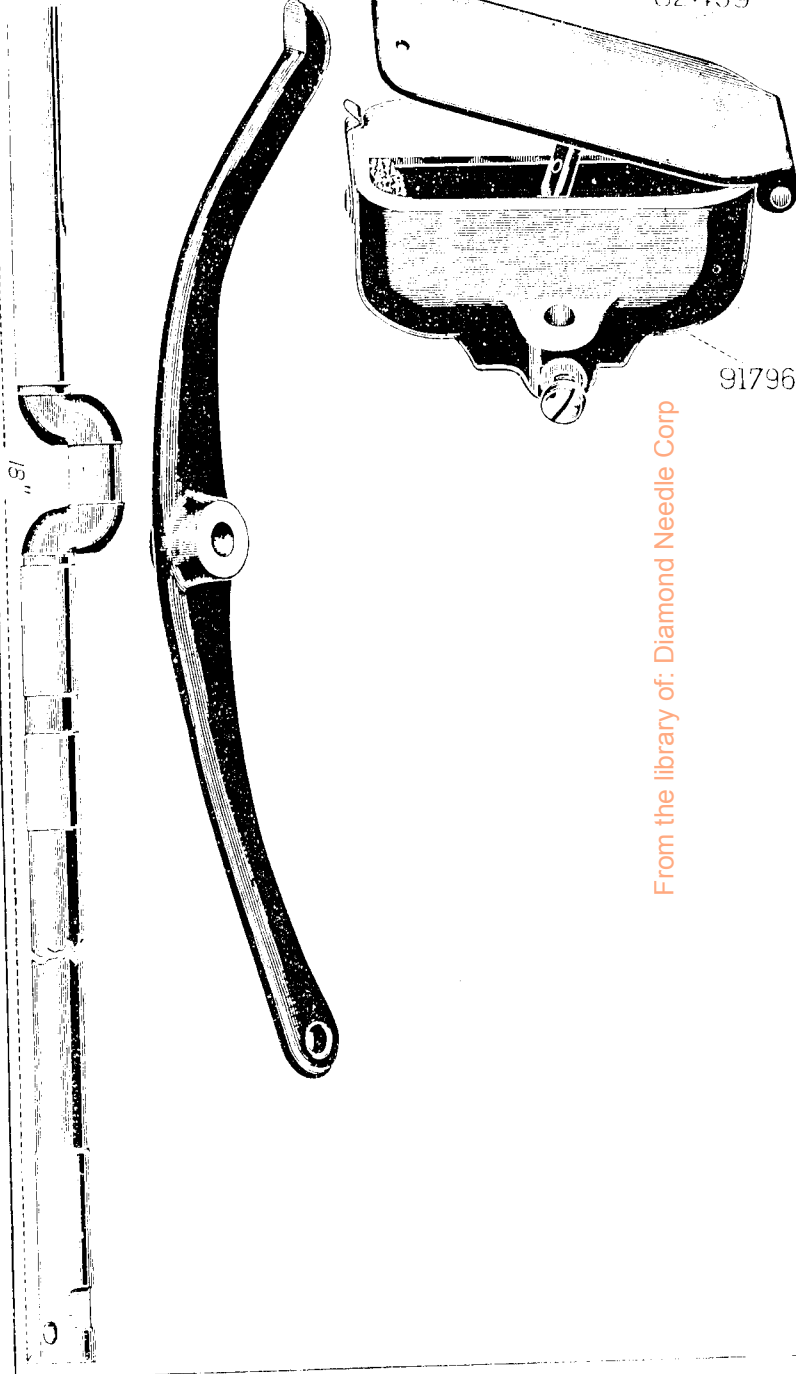


91615

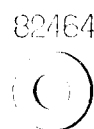
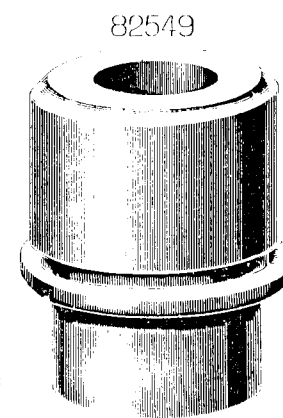
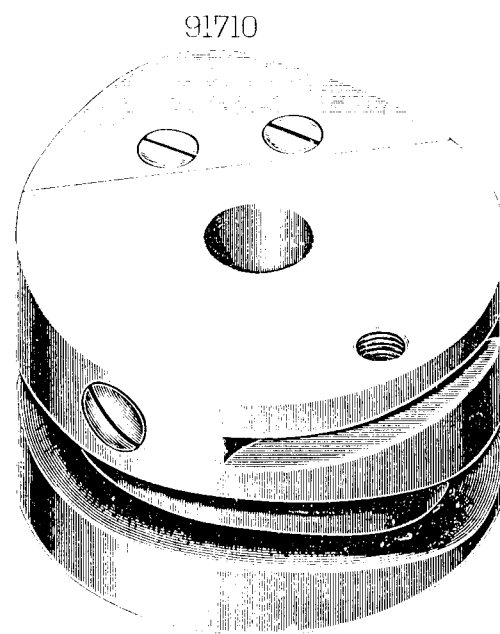
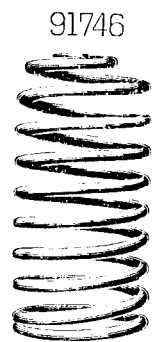
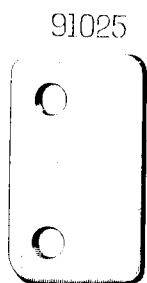
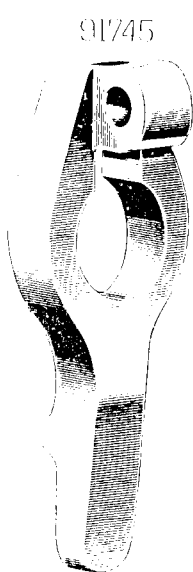
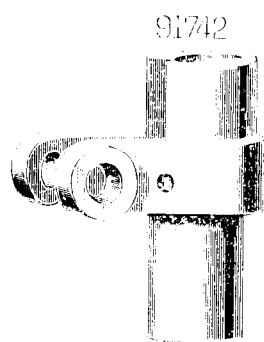
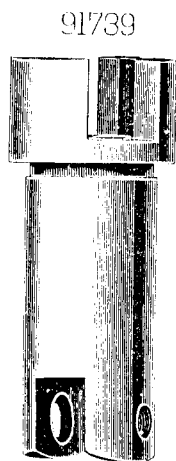
91716

91797

82459

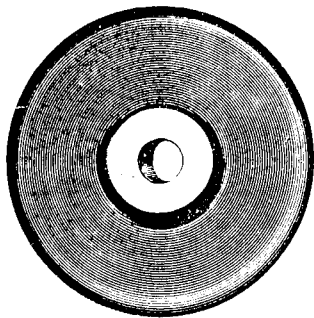


From the library of: Diamond Needle Corp

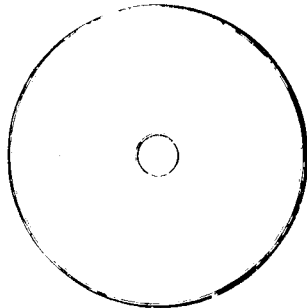


From the library of: Diamond Needle Corp

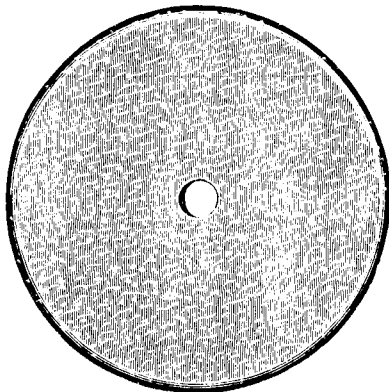
5963



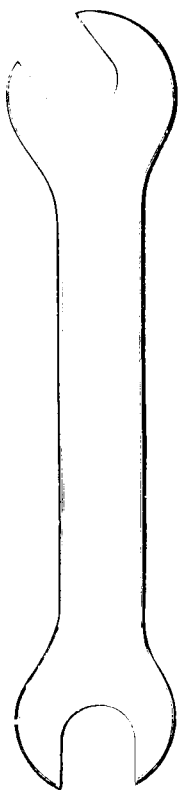
506L



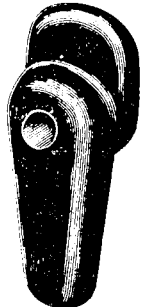
5960



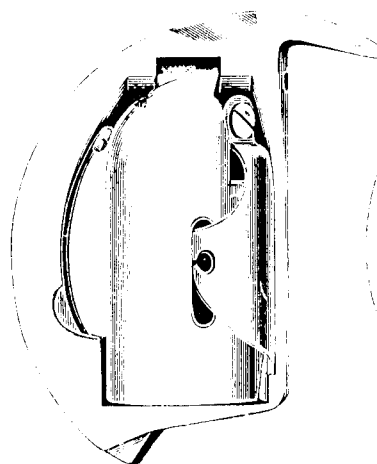
8908



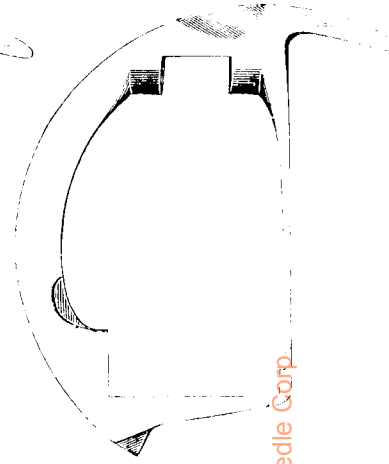
84118



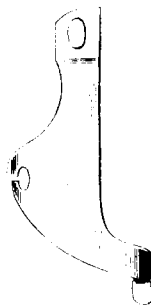
95084



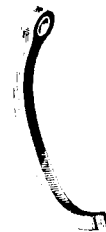
95082



95083



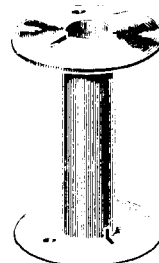
95081



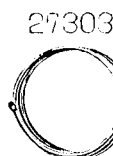
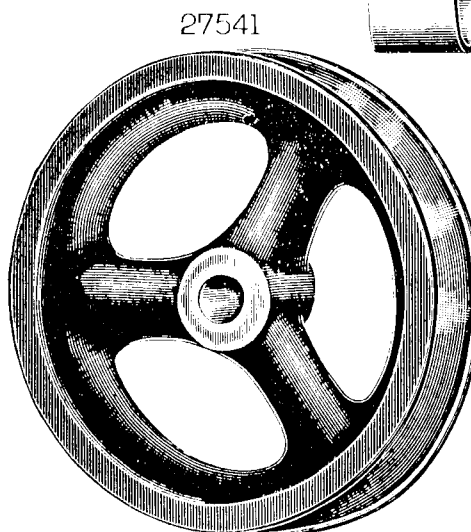
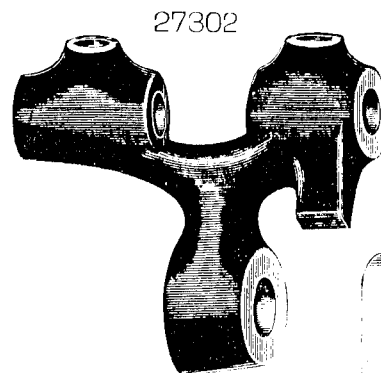
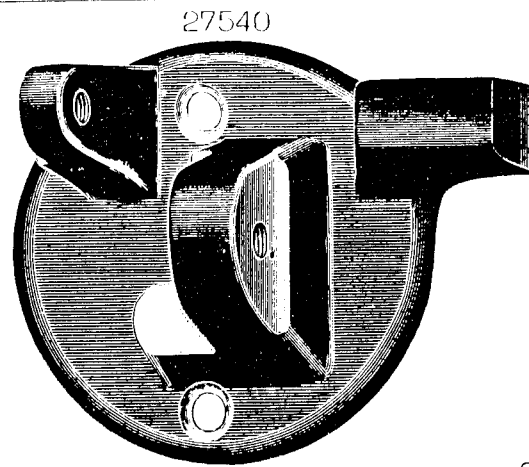
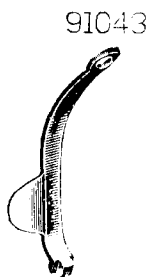
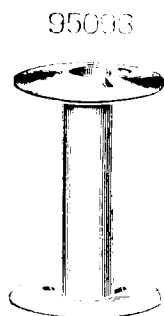
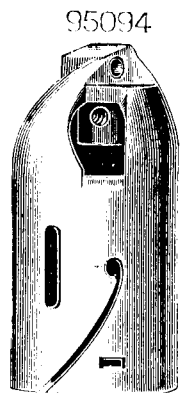
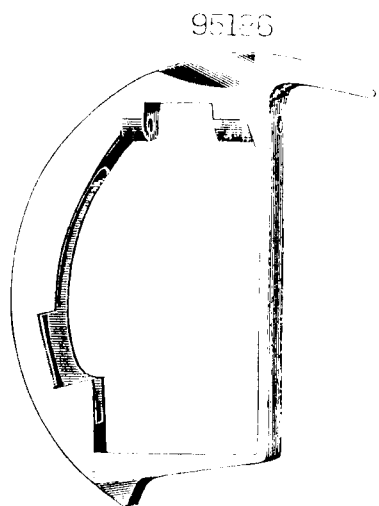
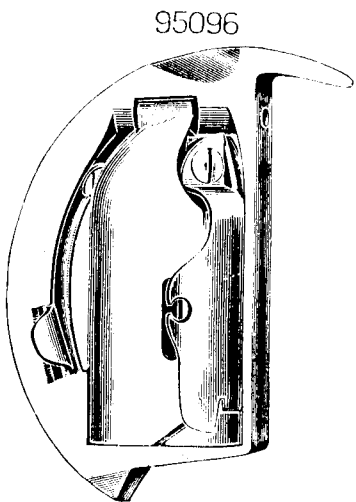
95080



95093

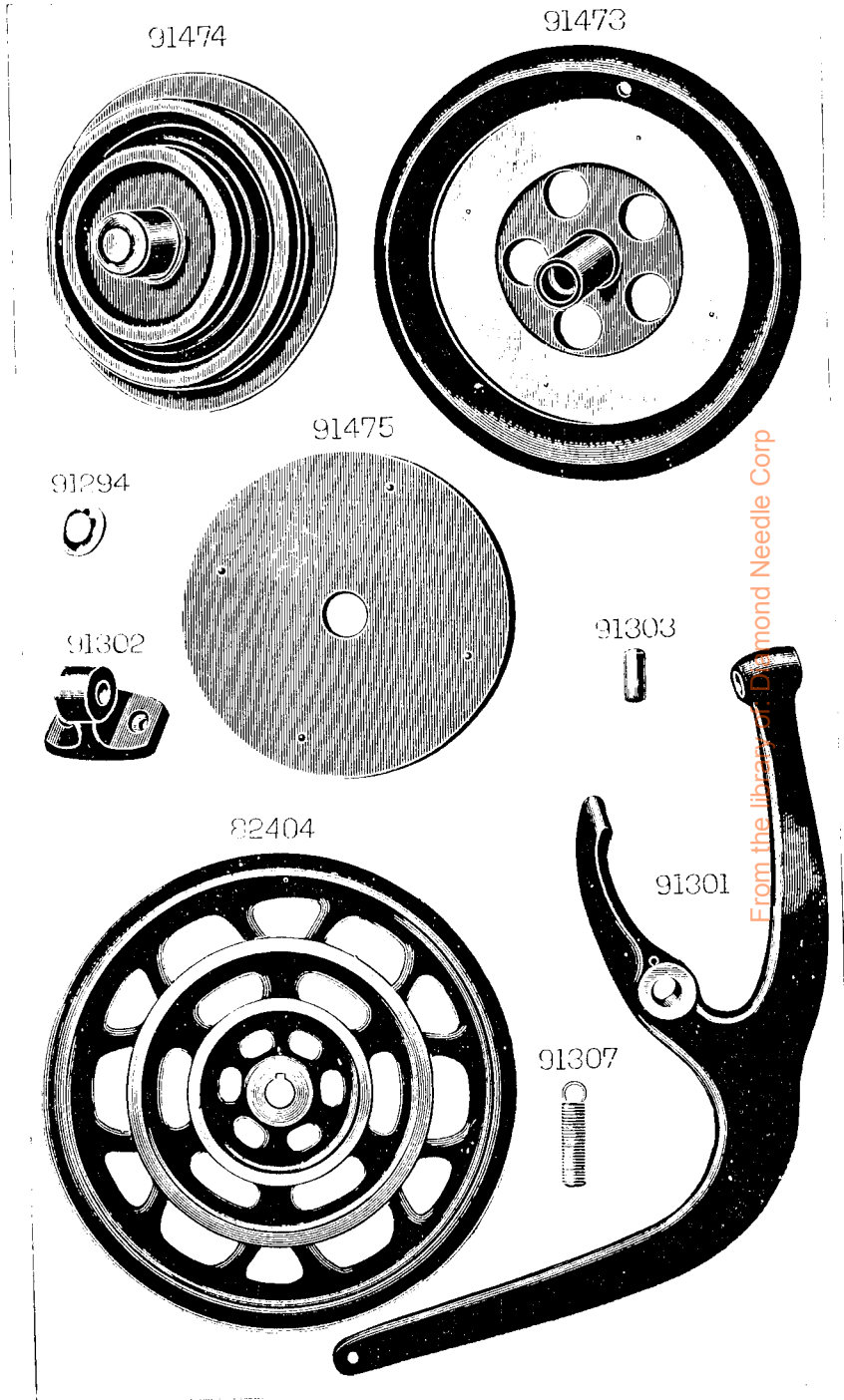
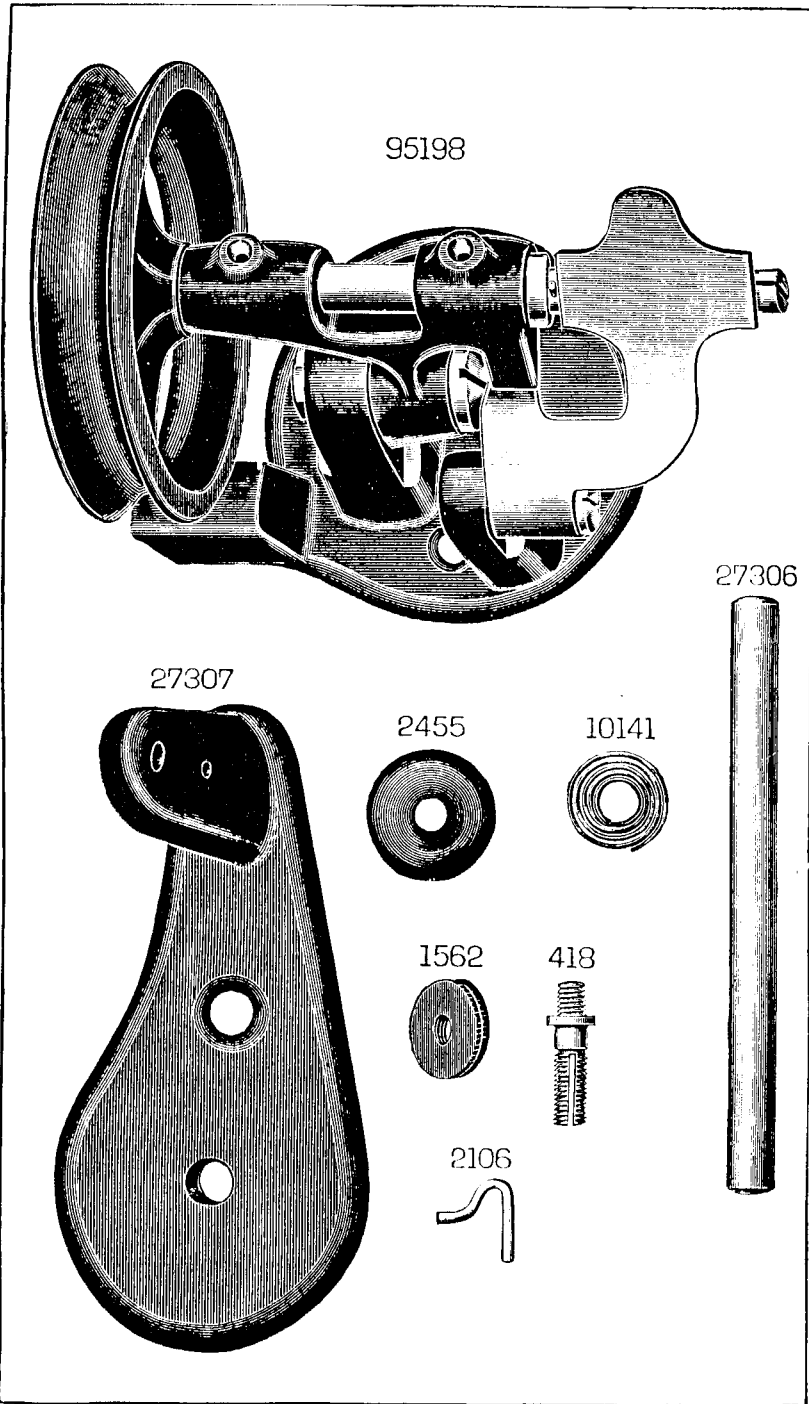


From the library of Diamond Needle Corp.



From the library of: Diamond Needle Corp.



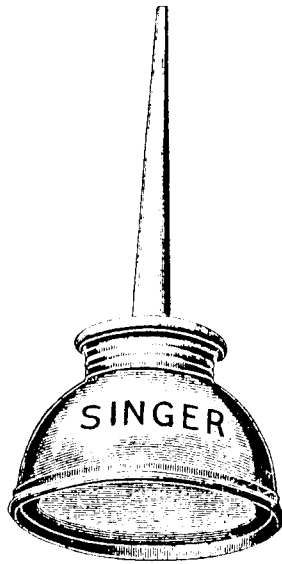


From the library of Diamond Needle Corp

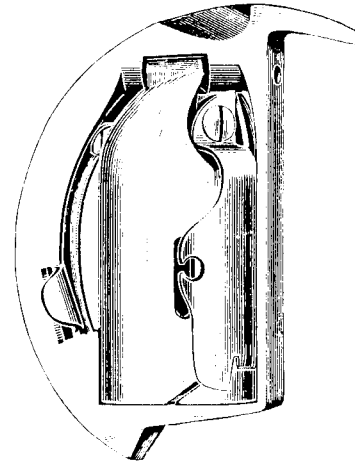
86611



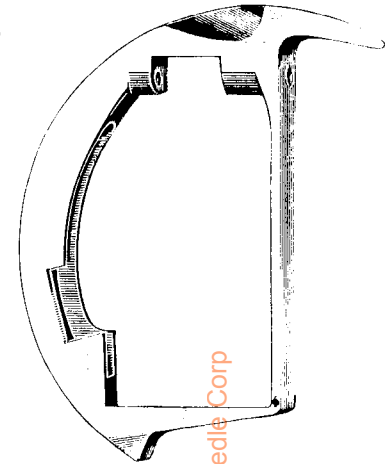
120342



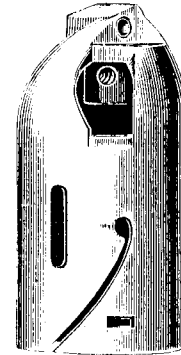
93622



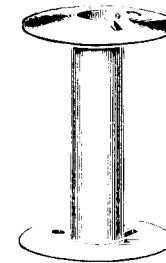
98619



95094



95093



95095



From the library of: Diamond Needle Corp

91042



91043

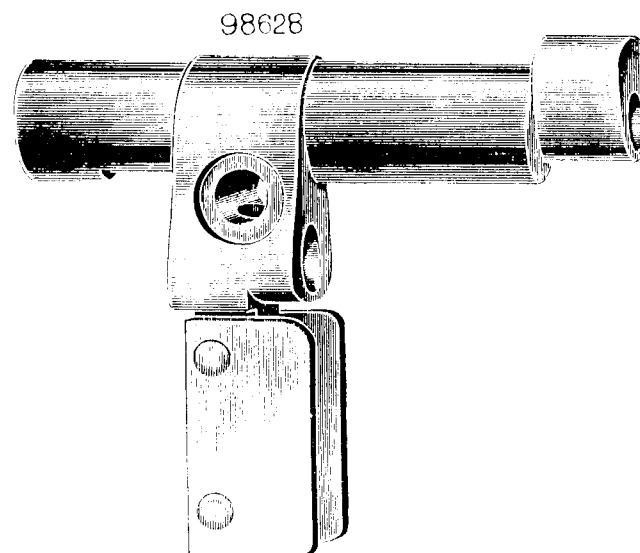
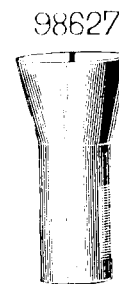
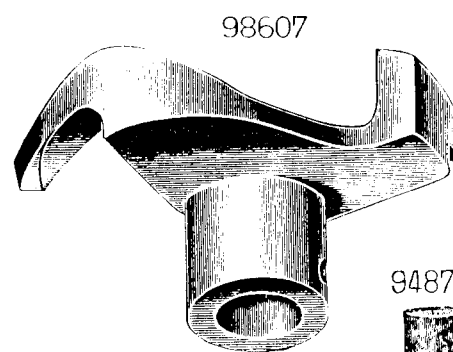
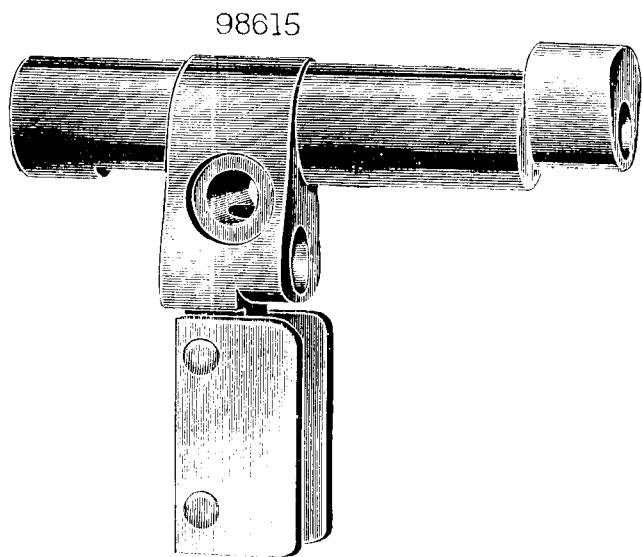
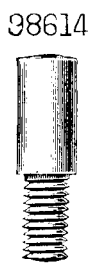
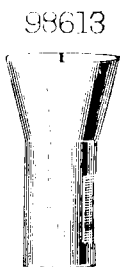
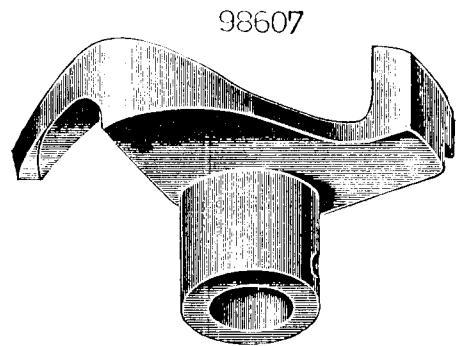


SS377

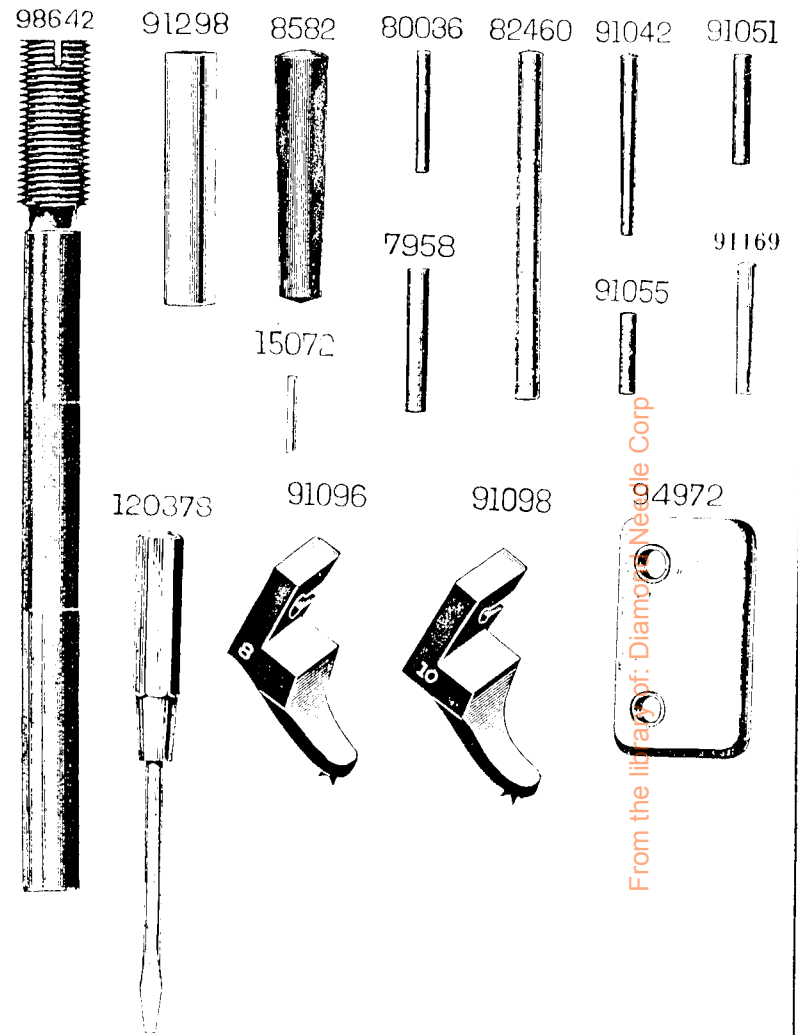
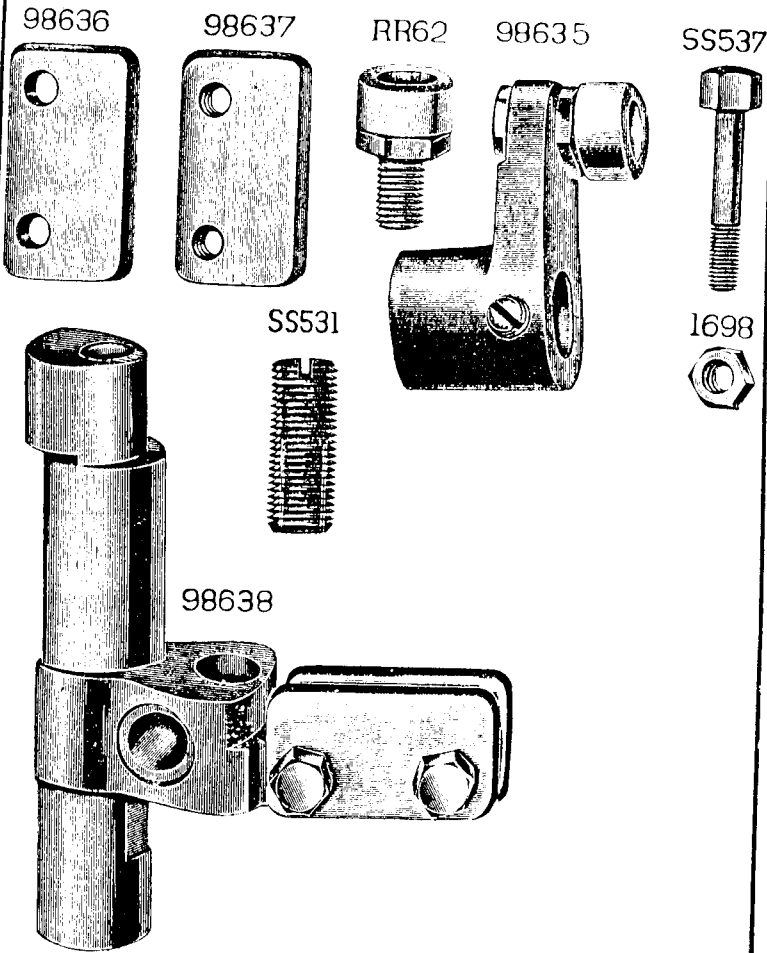


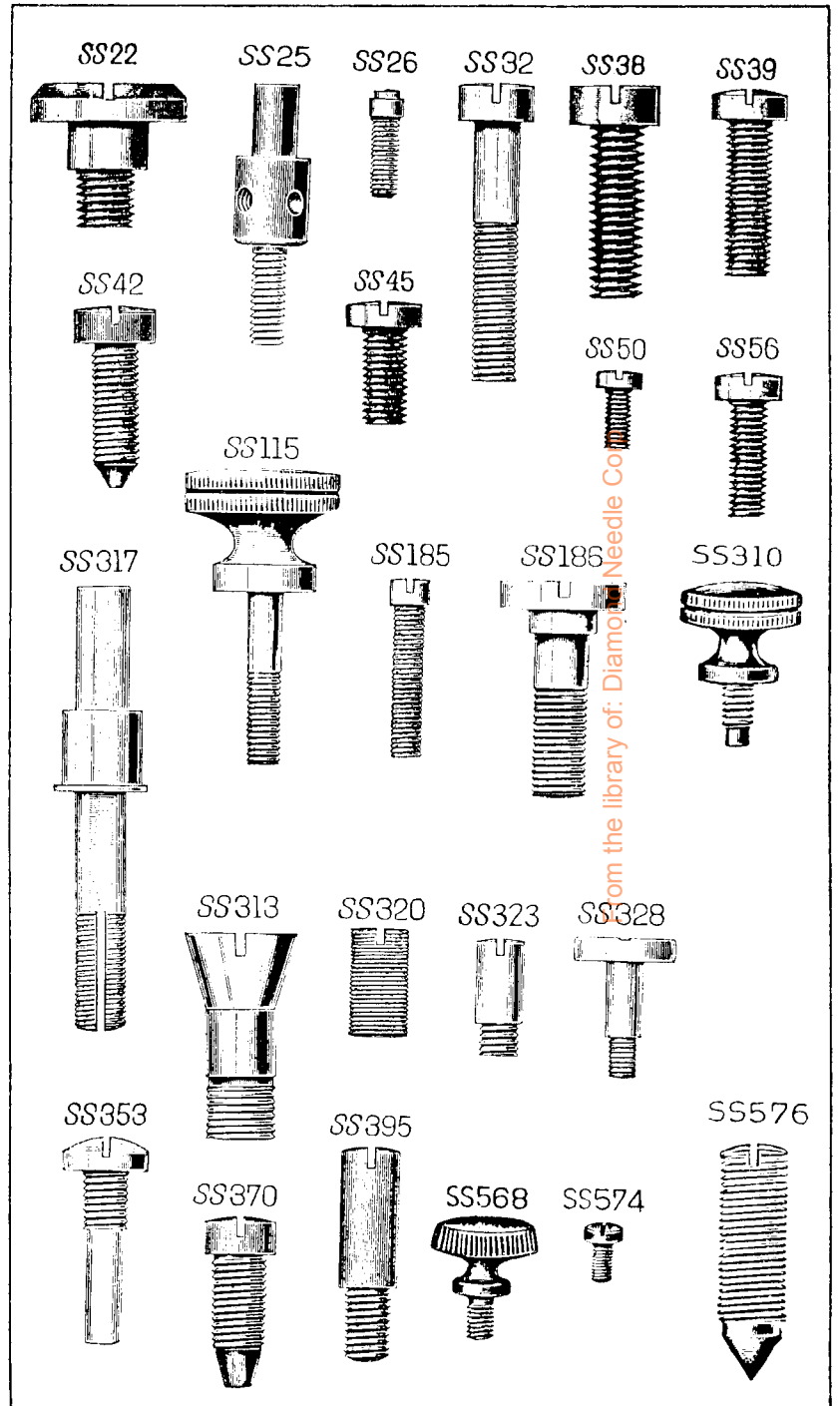
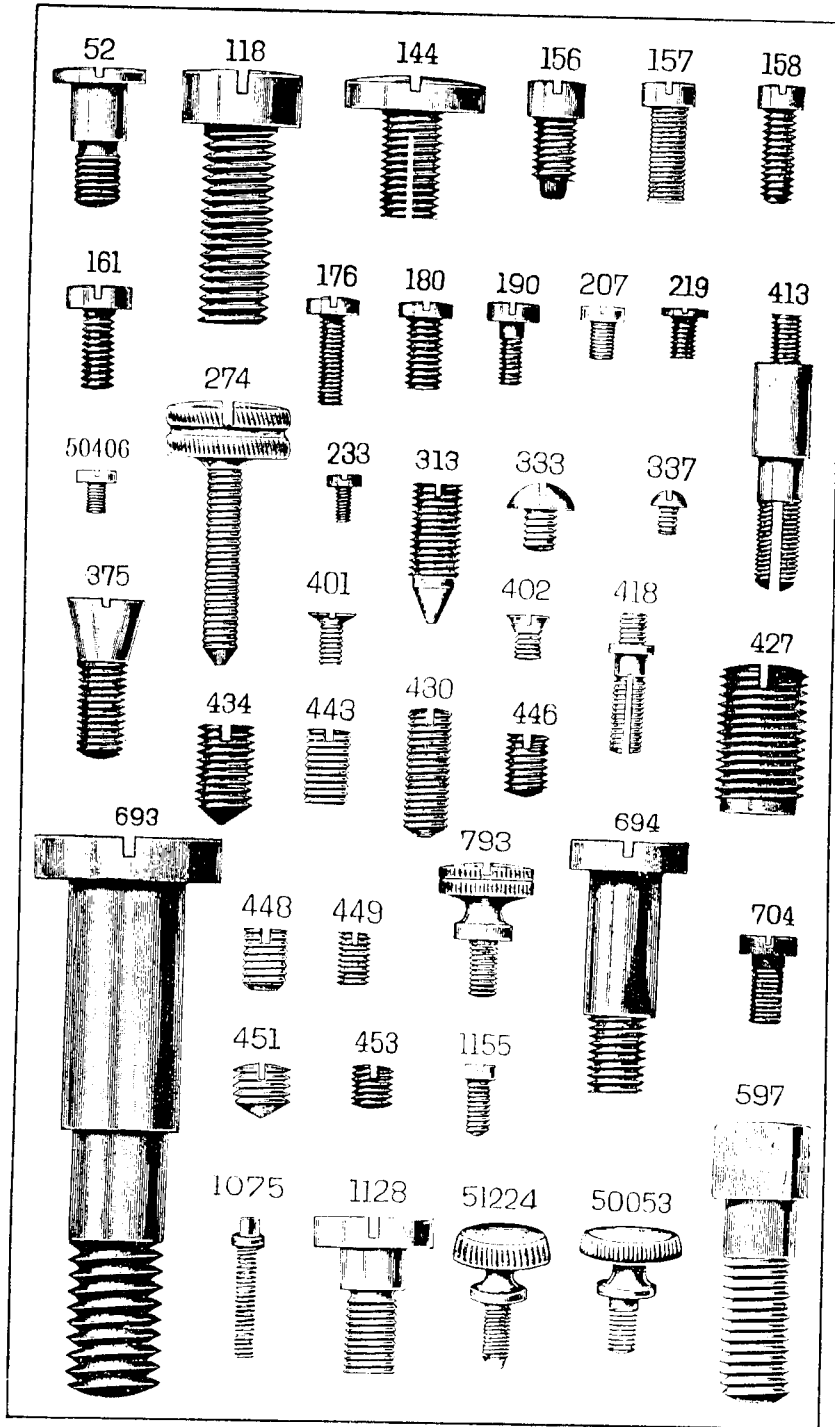
233





From the library of: Diamond Needle Corp



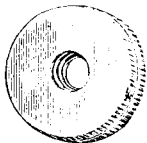


From the library of: Diamor Needle Co

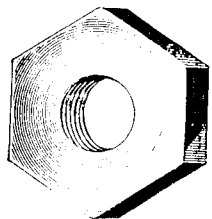
NW8



NW21



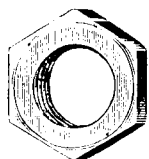
NW28



NW35



1508



1513



1518



1519



1520



1549



1560



1650



1536



1539



RR41



1809



1850



RR24



32



8627



91715



98664



94806



From the library of: Diamond Needle Corp

INSTRUCTIONS FOR ORDERING

In ordering from this List, the prefix and affix letters with the part number **MUST BE** quoted exactly as they are shown in the first column.

A number always indicates the same part in whatever List it may appear, or for whatever machine.

The affix letters (where shown) indicate the style of finish, as follows:

- A. Hardened, Polished, Nickel Plated and Buffed.
- A.A. Buffed and Chromium Plated.
- A.B. Hardened, Polished, Buffed and Chromium Plated.
- A.C. Brown Baking Enamel Finish.
- A.D. Grey Baking Enamel Finish.
- A.E. Hardened, Bright Rumbled and Nickel Plated.
- A.F. Hardened, Bright Rumbled and Nickel Plated, Bright Rumbled and Chromium Plated.
- A.J. Polished, Nickel Plated and Chromium Plated.
- A.K. Hardened, Polished, Nickel Plated and Chromium Plated.
- A.L. Heat Treated for Toughness.
 - B. Polished, Nickel Plated and Buffed.
 - C. Hardened only.
- C.R. Hardened and Merlized.
- D. Polished only.
- E. Soft, not Polished.
- F. Hardened and Polished.
- F.J. Hardened, Polished and Nickel Plated.
- G. Bright Rumbled and Nickel Plated.
- H. Blued.
- J. Nickel Plated only.
- K. Hardened and Nickel Plated.
- L. Brass Plated.
- M. Oxidized.
- N. Japanned, Dull.
- P. Japanned, Bright.
- P.P. Wrinkle Finish.
- R. Merlized.
- S. Cadmium Plated.
- T. Copper Plated.
- T.A. Hardened, Polished, Copper and Nickel Plated and Buffed.
- T.B. Copper and Nickel Plated and Polished.
- T.J. Copper and Nickel Plated only.
- T.K. Hardened, Copper and Nickel Plated.
- T.L. Copper and Brass Plated.
- T.M. Copper Plated and Oxidized.
- U. Zinc Plated.
- V. Silver Plated.
- W. Polished and Nickel Plated.
- X. Black Oxide for Iron and Steel.
- X.C. Hardened and Black Oxide for Iron and Steel.
- Y. Black Nickel Plated only.
- Z. Chromium Plated.
- Z.A. Hardened, Polished, Nickel Plated, Buffed and Chromium Plated.
- Z.B. Polished, Nickel Plated, Buffed and Chromium Plated.
- Z.C. Hardened and Chromium Plated.
- Z.D. Polished and Chromium Plated.
- Z.G. Bright Rumbled, Nickel Plated, Bright Rumbled and Chromium Plated.
- Z.J. Nickel and Chromium Plated.
- Z.T. Copper and Chromium Plated.

Parts marked with an asterisk (*) are furnished only when the repairs are made at Factory.

PARTS COMPLETE

FOR

No. 45K58 MACHINE

Top Feed, Flat Bed, Vibrating and Climbing Presser, for General Saddlery, Bags, Portmanteaux, Cloth, Canvas Work, etc.

No.	Plate	Description
91702		Arm with 416c, 15404, 82499, 82549 and two 15405 ...
8582	2123	" Dowel Pin (2) ...
118c	2124	" Screw (3) ...
91615	1063	Arm Shaft ...
82499	850	" " Bushing (back) ...
82549	1071	" " " " (front) ...
416c	2124	" " " Set Screw for 82499 ...
82100	851	" " Oil Tube ...
144c	2124	" " Screw ...
82402	847	Arm Side Cover ...
51224d	2124	" " " Thumb Screw ...
82403	851	" Spool Pin ...
82404	1599	Balance Wheel (two speeds) with two 434c ...
91002		" " " " (heavy) with two 434c ...
434c	2124	" " Set Screw ...
<i>NOTE: No. 82404 is sent with this Machine unless heavy Balance Wheel is specified on order.</i>		
91003		Bed ...
98664	2127	Crank Connecting Rod with 94802, 94872 and two 158c ...
94802		" " " Cap ...
94872	1698	" " " " Oil Pad ...
158c	2124	" " " " Screw ...
98627	1740	" " " Hinge Stud ...
98614	1698	" " " " Coffer Pin ...
1668c	1698	" " " " " " Nut ...

From the library of: Diamond Needle Corp

No.	Plate	
91574	847	Face Plate
SS45d	2125	" " Screw (to attach to machine)
91575	—	Face Plate , complete, Nos. SS50f, 233d, 446c, 82449, 82450, 82455, 82502, 82503, 82525, 82551 and 91574
91008	862	Feed Bar with 80036
94967	853	" " Retaining Spring
80036	2123	" " " " Pin
313c	2124	" " Screw Centre (2)
1519c	2126	" " " " Nut (2)
3032	850	Feed Cam with 446c
446c	2124	" " Set Screw
52165	851	Feed Connecting Link
375c	2124	" " " " Hinge Screw (2)
1518c	2126	" " " " " " Nut (2)
91607	863	Feed Dog
704c	2124	" " Screw
91013	862	Feed Forked Connection
375c	2124	" " " " Hinge Screw
1518c	2126	" " " " " " Nut
91014	862	Feed Lifting Rock Shaft
91334	—	" " " " 91014 with 91335
91335	863	" " " " Crank with 1809 and two 157c
157c	2124	" " " " Crank Clamping Screw
1809	2126	" " " " " " Roller and Stud
SS576c	2125	" " " " " " Screw Centre (2)
1513j	2126	" " " " " " Nut (2)
91017	863	Feed Regulator
1428c	2124	" " Hinge Screw
SS115d	2125	" " Thumb Screw
91018	862	Feed Rock Shaft with 91169
91336	—	" " " " 91018 with 91337
91337	863	" " " " Crank with two 157c
157c	2124	" " " " " " Clamping Screw
91169	2123	" " " " Retaining Spring Pin
SS576c	2125	" " " " Screw Centre (2)
1513j	2126	" " " " " " Nut (2)

No.	Plate	
85527	862	Guide
793d	2124	" Thumb Screw
91739	1070	Lifting Presser Plunger
8575	1070	" " " Position Pin
RR54	851	" " " Roller
SS323f	2125	" " " " Screw Stud
91740	—	Lifting Presser Plunger , complete, Nos. RR54, SS323f and 91739
91580	847	Needle Bar
91022	851	" " Connection with two 158c
158c	2124	" " " Clamping Screw
91240	850	" " " Link
375c	2124	" " " " Hinge Screw
1518c	2126	" " " " " " Nut
82520	853	Needle Glamp
156f	2124	" " Screw
82521	853	" " Thread Eyelet
50406d	2124	" " " " Screw
82522	—	" " 82520 with 156f, 50406d and 82521
98638	2000	Oscillating Rock Shaft with 98636, 98637, two each SS537c and 1698c
98642	2123	" " " " Hinge Pin
1513j	2126	" " " " " " Nut
SS531c	2000	" " " " " " Screw Bearing
1513j	2126	" " " " " " " " Nut
98636	2000	" " " " Steel Plate (bottom)
98637	2000	" " " " " " (top)
SS537c	2000	" " " " " " Binding Screw
1698c	2000	" " " " " " Binding Screw Lock Nut
98640	—	Oscillating Rock Shaft , complete, Nos. 1668c, 98614, 98627 and 98638
91028	862	Oscillating Shuttle Shaft
91029	853	" " " Bushing
SS39c	2125	" " " " " " Set Screw
91030	863	" " " Collar with 453c
453c	2124	" " " " " " Set Screw
98635	2000	Oscillating Shuttle Shaft Crank with RR62, 453c and 1518c
1663	853	" " " " " Pin
RR62	2000	" " " " " Roller and Screw Stud
1518c	2126	" " " " " " " " Nut
453c	2124	" " " " " " Set Screw

No.	Plate	
94806	2127	Presser Bar (round)
94582	847	" " (flat) with 91169
SS185f	2125	" " (") Adjusting Screw
NN35d	2126	" " (") " " Lock Nut
52f	2124	" " (") Hinge Screw
91583	850	" " (") Locking Plate
SS353d	2125	" " (") " " Screw
91595	850	" " (") Lower Guide Bracket with 1571 and 91169
157f	2124	" " (") " " Clamping Screw
91169	2123	" " (") " " Retaining Spring Pin
RK41	2126	" " (") " " Roller and Screw Stud
91113	851	" " (") Retaining Spring
91169	2123	" " (") " " Pin
91164	851	" " Automatic Thread Controller with 448c
448c	2124	" " " " Set Screw
91742	1070	" " Gripping Bracket
91743	1070	" " " " Block
91744	1070	" " " " Retaining Pin
91745	1070	" " " " Grip Lever
^{1/32} 430A	2124	" " " " " " Adjusting Screw
1520r	2126	" " " " " " " " Nut
91587	851	" " " " " " Hinge Pin
91746	1070	" " " " " " Retaining Spring
1650c	2126	" " " " " " " " Lock Nut
NN21d	2126	" " " " " " " " Thumb
		" " " " " " " " Nut
^{1/32} 1747		Presser Bar Gripping Bracket, complete, Nos. 430A ^{1/2} 1520r
		91587 and 91742 to 91745
91590	850	Presser Bar Lifter
SS186d	2125	" " " " Hinge Screw
1518e	2126	" " " " " " Nut
91591	850	" " Lifting Bracket with 443c and 4455c
1155c	2124	" " " " " " Position Screw
443c	2124	" " " " " " Set Screw
91697	854	" " " " " " Tension Release
190f	2124	" " " " " " " " Binding Screw
91696	854	" " " " " " " " Bracket
190f	2124	" " " " " " " " " " Screw
91699		" " " " " " 91591 with 91696, 91697 and 190
91594	847	" " " " " " Cam
704c	2124	" " " " " " Screw
SS355e	850	" " Screw Bushing
91248	854	" " Spring (spiral)
8627	2127	" " " " (flat)

No.	Plate	
91745	2127	Presser Bar Spring (flat) (for use with machine when fitted with Foot Lifter)
1539d	2126	" " " " Thumb Lock Nut
274d	2124	" " " " " " Screw
91550	854	Presser Foot (plain) with single toe serrated
91596	854	" " (") " two toes serrated
91548	854	" " " " with single point and serrated toe to left of needle
50190d		" " " " Thumb Screw
<i>NOTE: No. 91550 is sent with this Machine unless otherwise specified on order.</i>		
91092		Presser Foot Feed Point, $\frac{1}{8}$ " Square Stitch
91093		" " " " " $\frac{1}{8}$ " Twist "
91094		" " " " " $\frac{1}{8}$ " Square "
91095		" " " " " $\frac{1}{8}$ " Twist "
91096	2123	" " " " " $\frac{1}{8}$ " Square "
91097		" " " " " $\frac{1}{8}$ " Twist "
91098	2123	" " " " " $\frac{1}{10}$ " Square "
91099		" " " " " $\frac{1}{10}$ " Twist "
91100		" " " " " $\frac{1}{12}$ " Square "
91101		" " " " " $\frac{1}{12}$ " Twist "
91102		" " " " " $\frac{1}{4}$ " Square Stitch
91103		" " " " " $\frac{1}{4}$ " Twist "
<i>NOTE: Presser Foot Feed Points may be used with this machine, but are only supplied when specified on order and are charged extra.</i>		
95093	1467	Shuttle Bobbin
95094	1467	" " Cylinder
91042	1694	" " " " Hinge Pin
91043	1694	" " " " Latch Spring
SS574d	2125	" " " " " " Screw
98619	1694	" " Frame
95095	1467	" " Tension Spring
SS377f	1467	" " " " Adjusting Screw
98622	1694	Shuttle (Cylinder) $2\frac{1}{2}$ " diam., complete, Nos. SS377f, SS574d, 91042, 91043, 95093 to 95095 and 98619
<i>No. 98622 can only be used with No. 98607 and not with old style Shuttle Drivers.</i>		
98607	1698	Shuttle Driver
11663	853	" " " " Pin
<i>No. 98607 can only be used with No. 98622 and not with old style Shuttles.</i>		

From the library of: Diamond Needle Corp.

No.	Plate	
91048	303	Shuttle Guard
SS568d	2125	" " Thumb Screw
1549e	2126	" " " " Lock Nut
91049	—	Shuttle Race with 91051, 91052 and 91055
94973	—	" " 91049 with 91054 and two 40H
SS32f	2125	" " Bearing Clamping Screw
NA8e	2126	" " " " " Nut
91050	853	" " Cap
91051	2123	" " " Pin (short)
91052	303	" " " (long)
91053	853	" " " Spring
41f	303	" " " Screw
91054	303	" " Loop Spreader
401f	2124	" " " Screw
91055	2123	" " Position Pin
91056	303	Shuttle Race (adjustable), complete, Nos. 41f, SS568d, 1549e, 91048, 91050, 91053 and 94973
91057	862	Shuttle Race Slide (back)
180d	2124	" " " (") Screw (2)
91058	862	" " " (front)
91059	862	" " " (") Spring
337d	2124	" " " (") " Screw
91060	—	" " " 91058 with 91059 and two 337d
SS317e	2125	Tension Screw Stud
1560d	2126	" " " Regulating Thumb Nut
446e	2124	" " " Set Screw
82445	854	" Spring
82446	854	" Washer (felt)
82447	854	" " (steel)
82448	854	" Wheel
82502	—	Tension , complete, Nos. SS317e, 1560d, 82445, 82448, two each, 82446 and 82447
82551	1071	Thread Controlling Lever
82525	851	" " " Spring
82455	851	" " " Stop Pin
82450	851	Thread Eyelet
SS50f	2125	" " Screw
82449	851	Thread Guard
233d	2124	" " Screw

No.	Plate	
2102	851	Thread Retainer Disc
*413e	2124	" " Screw Stud
33892	—	" " " " 413e with 1560d
1560d	2126	" " " " Regulating Thumb Nut
2103	850	" " Spring
82503	—	Thread Retainer , complete, Nos. 2103, 33892 and two 2102
91709	—	Thread Take-up Cam with SS320c and SS370e
SS320c	2125	" " " Set Screw
SS370c	2125	" " " Timing Screw
91710	1071	" " " 91709 with 91594 and two 704
91505	—	Thread Take-up Lever
SS22f	2125	" " " Hinge Screw
92814	1071	" " " Roller
SS328e	2125	" " " " Screw
RR24	2126	" " " " and Screw Stud
1519e	2126	" " " " " Nut
91507	850	Thread Take-up Lever , complete, Nos. RR24, SS328e, 1519e, 91505 and 92814
91609	863	Throat Plate (fine needle hole) for 91607
91610	863	" " (coarse needle hole) for 91607
180f	2124	" " Screw (2)
NOTE.		91610 is sent with this Machine unless otherwise specified on order.
91796	1063	Oil Box
82459	1063	" " Cover
82460	2123	" " " Hinge Pin
80106	1071	" " " Latch Spring
219f	2124	" " " " Screw
82462	1071	" " " " Washer
82463	—	" " Oil Pad (cloth)
SS50f	2125	" " " " Screw
82462	1071	" " " " Washer
SS395f	2125	" " Stud Screw
SS42f	2125	" " " " Set Screw
91797	1063	Oil Box , complete, Nos. SS42f, SS50f, 219f, 80106, 82459, 82460, 82463, 91796 and two 82462
82550	—	Drip Pan
15404	—	Trade Mark
15405	—	" " Rivet

From the library of: Diamond Needle Corp

Accessories

No.	Plate	
35093	1467	Bobbin 1712
		Instruction Book
84118	1072	Machine Button with 84151 and wood screw 1 1/2 No. 9 R.T.B. Needles (6)
120312	1600	Oiler
86611	1600	Screw Driver (large)
120378	2123	" " (small)
8908	1072	Wrench

9/24/51

Attachments

Attachment for Saddlery Work.

No.	Plate	
85749	176	Base
85750	176	" Spring
85751	176	" " Regulator with SS310d
SS310d	2125	" " " Thumb Screw
207d	2124	" " " Screw
85325		" " " Washer
85752	176	Binder only, complete, Nos. 207d, 85325 and 85749 to 85751
85822	176	Combination Guide
85823	176	" " Base
161d	2124	" " " Screw
85514		" " " Washer
85824	176	Combination Guide, complete, Nos. 161d, 85514, 85822 and 85823
85535	176	Presser Foot
85829	176	Saddlery Attachment, complete, Nos. 85535, 85752 and 85824

From the library of: Diamond Needle Corp

Binder (adjustable) for Horse Rugs.

No.	Plate	
86209	864	Base and Folder with SS25d
86210	864	" Guide Wire
50053d	2124	" " " Thumb Screw
SS25d	2125	" Screw Stud
86211	864	Guide (top)
AX19d	864	" Thumb Nut

No.	Plate	
85514	---	Guide Thumb Nut Washer
86212	864	Binder only, complete, Nos. NN19d, 50053d, 85514 and 86209 to 86211
86279	864	Presser Foot
86290	864	Binder, complete, Nos. 86212 and 86279

Binder (adjustable) for Leather and Motor Car Hood Binding.

No.	Plate	
86202	860	Base
86203	860	Guide (top)
86204	---	" (bottom) with 1075e
1075e	2124	" (") Screw Stud
1536d	2126	" Regulating Thumb Nut
86205	860	Binder only, complete, Nos. 1536d and 86202 to 86204
91552	860	Presser Foot
86284	860	Binder, complete, Nos. 86205 and 91552

Welting Attachment (adjustable) for Carriage Cushions.

No.	Plate	
86214	859	Welter Base Guide
86215	859	" Braid Guide with SS26e
207d	2124	" " " " Screw
85325	---	" " " " Washer
SS26e	2125	" " " " Stud
NN44d	859	" " " " " Thumb Nut
86216	859	" Cord Guide
449c	2124	" " " " Set Screw
86217	859	Welter only, complete, Nos. NN44d, 207d, 449c, 85325 and 86214 to 86216
86144	859	Presser Foot (Grooved for Cord)
86285	859	Welting Attachment, complete, Nos. 86144 and 86217

Welting Attachment for Leather Bags, Portmanteaux, etc.

No.	Plate	
86286	859	Welt Guide
86287	859	" " Base
703d	859	" " Thumb Screw
91547	859	Presser Foot
86288	859	Welting Attachment, complete, Nos. 86286, 86287, 91547 and two 703d

Welting Attachment for Heavy Boots.

No.	Plate	
91552	860	Presser Foot
86135	860	Guide (plain)
86127	860	Welt Guide
86289	860	Welting Attachment, complete, Nos. 86127, 86135 and 91552

Bobbin Winders

Bobbin Winder (friction) for Fast Wheel Machine.

No.	Plate	
82527	838	Bracket
SS56d	2125	" Screw
82528	838	Frame
32d	2126	" Hinge Screw
5960	1072	Friction Wheel (leather)
5961	1072	" " Washer
333r	2124	" " " Screw
91446	838	Spindle with 15072
15072	2123	" Bobbin Position Pin
5963	1072	" Flange
91447	838	Frame, complete, Nos. 333r, 5960, 5961, 5963, 82528 and 91446
82537	838	Spring
161d	2124	" Screw
82538	838	" " Washer
91448	---	Bobbin Winder, complete, Nos. 32d, 161d, 82527, 82537, 82538 and 91447

NOTE: No. 91448 is supplied with machine unless otherwise specified on order.

Bobbin Winder (friction) for Machine with Driving Attachment.

This Bobbin Winder is the same as No. 91448 with the following exceptions:

No.	Plate	
91476	838	Bracket
91477	---	Bobbin Winder, complete, Nos. 32d, 161d, 82537, 82538, 91447 and 91476

From the library of: Diamond Needle Corp

Bobbin Winder (Swinging Automatic, Right Hand) for 95093.

No.	Plate	
27540	1487	Base
		" Screw (wood) 1" No. 7 R.H.
27302	1487	Frame
50356b	1487	" Hinge Screw
1620j	1487	" " " Nut
27303	1487	" Spring
27541	1487	Pulley
98673	1487	Spindle with 15072
15072	2123	" Bobbin Position Pin
27306	1488	Spool Pin
27307	1488	" Stand
27308		" " 27307 with 418d, 1562j, 2106, 10141, 27306, two each 2455 and wood screws 1" No. 10
<p><i>As No. 27308 can be supplied either Plated or Japanned, it is necessary, when ordering, to state which is required.</i></p>		
95197	1487	Stop Latch
35d	1487	" " Hinge Screw
2455	1071	Tension Disc
1562j	1488	" Regulating Thumb Nut
418d	1488	" Screw Stud
10141	1071	" Spring
2106	1071	Thread Guide
95198	1488	Bobbin Winder, Nos. 35d, 1620j, 27302, 27303, 27540, 27541, 50356b, 95197, 98673 and two wood screws 1" No. 7 R.H.
95199		Bobbin Winder, complete, Nos. 27308 and 95198

Foot Lifter

No.	Plate	
91716	1063	Arm Lever
694d	2124	" " Hinge Screw
91457	755	Foot Lever with 176c
91459	755	" " Bracket
17881	755	" " " Hinge Pin
		" " " Screw (wood) 1" No. 12
91458	755	" " Extension
176c	2124	" " " Set Screw
98626	755	" " Spring
91451		Foot Lever only, complete, Nos. 17881, 91457 to 91459, 98626 and two wood screws 1" No. 12
17877	755	Foot Lever Pitman Rod (lower)
17878	755	" " " " (upper)
17879	755	" " " " Clamp with two 161d
161d	2124	" " " " Screw
17880	755	Foot Lever Pitman Rod, complete, Nos. 17877 to 17879
91453	755	Foot Lever Pitman Connecting Hook (7" long)
91455		" " complete, Nos. 17880 and 91451
91456		" Lifter, complete, Nos. 694d, 91453, 91455 and 1716

Driving Attachment

No.	Plate		No.	Plate
91473	1599	Balance Wheel with 434c, 454c, 91475 and four 402e	91408	817
91474	1599	" " Friction Pulley (two speeds) with 418c and	82399	817
		91291		
91291	1599	" " " " Centre Bearing	91317	817
91475	1599	" " " " Ring (cardboard)		
402e	2124	" " " " " Screw	*91005	
418c	2124	" " " " " Set Screw	SS313c	2125
434c	2124	" " " " " Set Screw (long)	SS45d	2125
454c	2124	" " " " " (short)	98613	1698
91296	755	Starting Lever	91577	851
91297	755	" " Bracket	91579	
91298	2123	" " " Hinge Pin		
		" " " " " Screw (wood) 1 1/4" No. 15	91439	853
91299	755	" " " Nos. 91296 to 91298 and three wood screws 1 1/4" No. 15	98615	1698
			98628	1740
17877	755	" " Pitman Rod (lower)	91025	1070
17878	755	" " " " (upper)	91972	2123
17879	755	" " " " Clamp with two 161d	91026	1070
161d	2124	" " " " " " " Screw	91031	863
17880	755	Starting Lever Pitman Rod, complete, Nos. 17877 to 17879	1850	2126
91460		Starting Lever and Pitman, complete, Nos. 17880 and 91299		
84275		Shaft Pulley (sectional, grooved), 10" diam., with two 597c	91581	851
597c	2124	" " " Clamping Screw	91585	851
91301	1599	Lever with 7958 and 91306	91586	851
91302	1599	" Bracket	91692	
SS38c	2125	" " " " " " " Screw		
91303	1599	" Centre Plug (wood)	91588	851
427c	2121	" " " " " " " Adjusting Screw	91592	850
1508c	2126	" " " " " " " Nut	91593	
91306		" Friction Pad (leather)	82430	851
693d	2124	" Hinge Screw		
NN28c	2126	" " " " " Nut	95089	1260
91307	1599	" Spring	95081	1260
161d	2124	" " " " " " " Screw	2331	2124
7958	2123	" " " " " " " Pin	95082	1260
91309		Lever, complete, Nos. NN28c, 161d, 427c, 693d, 1508c, 91301 to 91303, 91307 and two SS38c	95083	1260
			95186	1467
91478		Driving Attachment, complete, Nos. 84275, 91309, 91460, 91473 and 91474	95096	1467

Obsolete Parts

No.	Plate		No.	Plate
91408	817	Arm Shaft		
82399	817	" " " Bushing (front)		
91317	817	Crank Connecting Rod with 91005, 91872 and two 158c (for use with Hinge Screw SS313c)		
*91005		" " " " " Cap		
SS313c	2125	" " " " " Hinge Screw		
SS45d	2125	" " " " " " " Set Screw		
98613	1698	" " " " " " " Stud		
91577	851	Lifting Presser Plunger		
91579		" " " " " " " complete, Nos. 91579, SS3231 and 91577		
91439	853	Oscillating Rock Shaft with 91025, 91972 and two 91026		
98615	1698	" " " " " " " 91025, 91972 and two 91026		
98628	1740	" " " " " " " 91025, 91972 and two 91026		
91025	1070	" " " " " " " Steel Plate (bottom)		
91972	2123	" " " " " " " " (top)		
91026	1070	" " " " " " " " Rivet		
91031	863	" Shuttle Shaft Crank with 453c and 1850		
1850	2126	" " " " " " " Roller and Stud		
91581	851	Presser Bar Gripping Bracket		
91585	851	" " " " " " " Grip Collar		
91586	851	" " " " " " " Lever		
91692		" " " " " " " 91581 with 575c, 1520c, 91586 and 91587		
91588	851	" " " " " " " Grip Retaining Spring		
91592	850	" " " " " " " Lifting Bracket Tension Release		
91593		" " " " " " " 91591 with 91592 and two 160c		
82430	851	" " " " " " " Spring		
95089	1260	Shuttle Cylinder		
95081	1260	" " " " " " " Latch Spring		
2331	2124	" " " " " " " " " Screw		
95082	1260	" " " " " " " " " Frame		
95083	1260	" " " " " " " " " Tension Spring		
95186	1467	Shuttle Frame		
95096	1467	Shuttle (Cylinder) 2 1/2" diam., complete, Nos. 2331, SS3771, 91042, 91043, 95093 to 95095 and 95186		
91047		Shuttle Driver		
91597	853	" " " " " " " " " " " " " " " " "		

NOTE: The above Shuttle, Shuttle parts and Shuttle Drivers are not interchangeable with the new style parts, and No. 95096 must be used in conjunction with No. 91597.

OBSOLETE PARTS

No.	Plate			
82543	851	Thread Controlling Lever
91599		Thread Take-up Cam with SS320c and 1063c
91600	847	" " " 91599 with 91594 and two 704c

From the library of: Diamond Needle Corp